



OPERATOR'S MANUAL

Safety, Operation & Service Information

RIP-R-STRIPPER[®] Floor Covering Stripper

Model: FCS10GEN2

Form: GOM03042001US, Version 1.2, Original Instructions

- Do not discard this manual.
- Keep manual readily available for reference during operation or when servicing product.
- Before operation, read and comprehend operator manual content.
- **Customer Service:** 001 507 451 5510
- **Customer Service Telefax:** 001 507 451 5511
Note: There is no charge for Customer Service.
- **Internet Address:** <http://www.generalequip.com>
- **Email:** general@generalequip.com
- **Mailing Address:**
General Equipment Company, 620 Alexander Dr. S.W., P.O. Box 334, Owatonna, MN 55060, USA

Copyright 2021, General Equipment Company, All rights reserved.

TABLE OF CONTENTS

1 INTRODUCTION 3

2 INTENDED USE 3

3 TRAINING 3

4 SAFETY SYMBOLS..... 3

5 SAFETY INSTRUCTIONS 3

6 MACHINE SPECIFICATIONS 7

7 STANDARD PRODUCT & ACCESSORIES 7

8 MACHINE SET-UP 7

9 APPLICATION THEORY & TECHNIQUES 10

10 OPERATING INSTRUCTIONS 11

11 MAINTENANCE INSTRUCTIONS 14

12 SERVICE/REPAIR INSTRUCTIONS 15

13 TROUBLESHOOTING 16

14 STORAGE 16

15 END OF LIFECYCLE 16

16 REPLACEMENT PARTS 18

- It is responsibility of owner(s) and/or operator(s) to establish, monitor and constantly upgrade all safety programs and/or practices utilized in and for operation of RIP-R-STRIPPER. Purpose of such programs is to provide for owner(s) and/or operator(s) safety. Operators must be instructed to recognize and avoid unsafe conditions associated with their work (29 CFR 1926.21 (b)(2)) and/or applicable updated revisions.
- It is responsibility of owner(s) and/or operator(s) to determine no modifications and/or alterations have been made to RIP-R-STRIPPER. Modifications and/or alterations can lead to possibility of serious damage, injury or even death. It is responsibility of owner(s) and/or operator(s) to make this Operator Manual available for consultation during all phases of operation.
- Refer to OSHA 2207 and/or applicable updated revisions which contains all OSHA job safety, health rules and regulations (1926 and 1910) covering construction.

CAUTION

The concept of electrically powered, walk-behind floor covering removal equipment has been successfully utilized for many years as a practical solution to many types of floor covering removal requirements. The basic concept is proven and well accepted within the associated marketplaces.

Use of a RIP-R-STRIPPER requires strenuous work activity. This type of work activity can be considered to be greater in magnitude than that experienced with the use of many other types of both light construction and lawn and garden related equipment. This type of work activity should only be attempted by operators of adequate physical size and stature, mental awareness, and physical strength and condition.

The body parts most noticeably affected during the floor covering removal process are the arms, hands, wrists, shoulders, lower back and legs. The covering removal process can also produce excessive stress/strain directly to the back muscles, spinal vertebrae and many other body parts. Back and wrist related pain can be side effects of using the RIP-R-STRIPPER. Use of RIP-R-STRIPPER may only aggravate this and any other medically related problem.

Because of the diverse type of prevailing floor removal conditions, operator experience levels and operator physical characteristics, no warranty, guarantee, representation and/or liability is made by the manufacturer as to the absolute correctness or sufficiency of any operational procedure, operational position and/or technique. There is no absolute guarantee that an operator of any given experience level, physical size and/or physical condition will be immune to the possibility of and/or probable physical side effects of the normal use of the RIP-R-STRIPPER.

Each potential operator of the RIP-R-STRIPPER must be made aware of and assume the operational and physical liability described and/or associated with the use of the RIP-R-STRIPPER. **Each potential operator not willing to assume the operational and physical liability described and/or associated with the use of the RIP-R-STRIPPER should not operate it.** Proper levels of operator experience, skill and common sense are essential for maximizing the safe and efficient operation of the RIP-R-STRIPPER.

Record RIP-R-STRIPPER and electric motor serial numbers in spaces provided below.

Model Number: _____

Serial Number: _____

Electric Motor Serial Number: _____

Date of Purchase: _____

Specifications and design are subject to change without notice or obligation. All specifications are general in nature and are not intended for specific application purposes. General Equipment Company reserves the right to make changes in design, engineering or specifications and to add improvements or discontinue manufacture at any time without notice or obligation. General Equipment Company and its agents accept no responsibility for variations which may be evident in actual products, specifications, pictures and descriptions contained in this publication.

NOTICE TO OPERATORS

IF YOU CAN NOT READ OR DO NOT FULLY UNDERSTAND THE CONTENTS OF THIS MANUAL, PLEASE CONTACT THE FACTORY FOR PROPER ASSISTANCE BEFORE ATTEMPTING TO OPERATE THIS PRODUCT.

SI TU NO PUEDES LE'ER O NO COMPRENDES EL CONTENIDO DE ESTE MANUAL FAVOR DE PONERSE EN CONTACTO CON LA FABRICA PARA ASISTENCIA-APROPIA ANTES DE INTENTAR PARA OPERAR ESTE PRODUCTO.

SOLLTEN SIE DIESE GEBRAUCHSANWEISUNG NICHT LESEN KOENNEN ODER ES NICHT VOLLKOMMEN VERSTEHEN, WENDEN SIE SICH BITTE AN DEN HERSTELLER FUER RICHTIGE HILFE EHE SIE VERSUCHEN DIESES PRODUKT ZU OPERIEREN.

SI VOUS NE LISEZ OU NE COMPRENDRE ENTIEREMENT LES MATIERES DE CE MANUEL, S'IL VOUS PLAIT, CONTACTEZ L'USINE POUR L'ASSISTANCE APPROPRIEE AVANT D'UTILISER LE PRODUIT.

IMPORTANT:

- DO NOT allow anyone to operate RIP-R-STRIPPER without first reading this Operator Manual and becoming familiar with RIP-R-STRIPPER operation.
- Manufacturer of this RIP-R-STRIPPER has gone to great extremes to provide owner(s) and/or operator(s) with the finest equipment available for its intended job function of removing covering materials from concrete and wood floor surfaces. Yet, the possibility exists RIP-R-STRIPPER can be utilized in and/or subjected to job applications not perceived and/or anticipated by manufacturer. Such misuse and/or misapplication of RIP-R-STRIPPER can lead to possibility of serious damage, injury or even death.
- It is responsibility of owner(s) and/or operator(s) to determine RIP-R-STRIPPER is utilized and/or operated within scope of its intended job function.

OPERATOR INSTRUCTIONAL DATA SHEET

The following undersigned operators of RIP-R-STRIPPER described and/or pertaining to this Operator Manual have received formal safety and operational information/instruction from undersigned owner(s)/instructor(s) in accordance to OSHA 29 CFR 1926.21 (b)(2) and/or applicable updated revisions pertaining to, but not necessarily limited to the:

1. READING, COMPREHENSION AND ACKNOWLEDGEMENT OF MATERIAL COMPRISING ENTIRE CONTENTS OF APPLICABLE OPERATOR MANUAL FOR RIP-R-STRIPPER.
2. FORMALIZED OPERATOR SAFETY PROGRAM TO BE DEvised BY OWNER OF RIP-R-STRIPPER IN CONJUNCTION WITH CONTENTS OF APPLICABLE OPERATOR MANUAL FOR RIP-R-STRIPPER.
3. OSHA RULES AND REGULATIONS RESEARCHED FOR AND/OR BY OWNER OF RIP-R-STRIPPER AND DEEMED APPLICABLE TO SAFE AND PROPER USE AND/OR OPERATION OF RIP-R-STRIPPER FOR ANY SPECIFIC JOB APPLICATION.
4. LOCAL LAWS, REGULATIONS AND CUSTOMS RESEARCHED FOR AND/OR BY OWNER OF RIP-R-STRIPPER AND DEEMED APPLICABLE TO SAFE AND PROPER USE AND/OR OPERATION OF RIP-R-STRIPPER FOR ANY SPECIFIC JOB APPLICATION.
5. FORMALIZED MAINTENANCE PROGRAM FOR RIP-R-STRIPPER TO BE DEvised BY OWNER OF RIP-R-STRIPPER IN ACCORDANCE WITH, BUT NOT NECESSARILY LIMITED TO, SPECIFICATIONS, GUIDELINES AND OPERATIONAL INFORMATION CONTAINED IN APPLICABLE OPERATOR MANUAL.
6. COMPREHENSIVE OPERATIONAL INSTRUCTIONS FOR CORRECT AND PROPER USE OF RIP-R-STRIPPER AS PER CONTENTS OF APPLICABLE OPERATOR MANUAL.

_____	Operator	_____	Owner/Instructor	_____	Date
_____	Operator	_____	Owner/Instructor	_____	Date
_____	Operator	_____	Owner/Instructor	_____	Date
_____	Operator	_____	Owner/Instructor	_____	Date
_____	Operator	_____	Owner/Instructor	_____	Date
_____	Operator	_____	Owner/Instructor	_____	Date
_____	Operator	_____	Owner/Instructor	_____	Date
_____	Operator	_____	Owner/Instructor	_____	Date
_____	Operator	_____	Owner/Instructor	_____	Date
_____	Operator	_____	Owner/Instructor	_____	Date
_____	Operator	_____	Owner/Instructor	_____	Date
_____	Operator	_____	Owner/Instructor	_____	Date
_____	Operator	_____	Owner/Instructor	_____	Date
_____	Operator	_____	Owner/Instructor	_____	Date
_____	Operator	_____	Owner/Instructor	_____	Date
_____	Operator	_____	Owner/Instructor	_____	Date
_____	Operator	_____	Owner/Instructor	_____	Date
_____	Operator	_____	Owner/Instructor	_____	Date

NOTE: INSERT COPIES OF THIS PAGE WITHIN OPERATOR'S MANUAL IF SPACE FOR ADDITIONAL OPERATORS IS REQUIRED.

1 INTRODUCTION

Congratulations on your decision to purchase a General Equipment light construction product. From our humble beginnings in 1955, it has been a continuing objective of General Equipment Company to manufacture equipment that delivers uncompromising value, service life and investment return. Because of this continuous commitment for excellence, many products bearing the General name actually set the standard by which competitive products are judged.

When you purchased this product, you also gained access to a team of dedicated, knowledgeable, support personnel that stand willing and ready to provide field support assistance. Our team of sales representatives and in-house factory personnel are available to ensure each General product delivers the intended performance and product safety you expect. Our personnel can readily answer your questions or concerns regarding proper applications, service requirements and warranty related problems.

If you have any questions or concerns about this product, please feel free to contact our Customer Service Department during normal business hours using the contact information located on the front cover of this manual. There is no charge for this service.

Sincerely,
The General Equipment Team

2 INTENDED USE

The RIP-R-STRIPPER is intended for use in removing VCT and linoleum tiles, soft sheet materials (PVC, rubber, linoleum, etc.), glued carpet, adhesives, mastics and material residues from dry wood and cement surfaces in a nonexplosive atmosphere. It is not intended to remove ceramic tile. The machine is operated by one adult of proper operator experience/skill/common sense, height, weight, strength and physical condition. Minors should never be allowed to operate the RIP-R-STRIPPER.

RIP-R-STRIPPER is classified as a low cost, push style, low power, portable type machine. The number of practical and/or suitable job applications for this type machine is limited. Particular job application variables and operator experience/skill/common sense may require a different type machine, method and/or process to properly complete job efficiently and safely. Contact Customer Service Department for specific information regarding suitable job applications, job sites, flooring conditions and operator experience/skill/common sense recommendations for RIP-R-STRIPPER BEFORE utilization.

Never exceed the recommended capacities of the RIP-R-STRIPPER. Refer to BEFORE OPERATING and SPECIFICATIONS sections in this manual for more detailed information. Always utilize the correct blades and extension cord designed for use with the RIP-R-STRIPPER. Use of an incorrect blade or extension cord can result in property damage and/or personal injury.

OPERATIONAL DISCLAIMER

The manufacturer of this RIP-R-STRIPPER makes no warranty or guarantee it is merchantable and/or suitable for a specific job application and that it will have the capability and power required to remove any specific floor covering from any specific work surface.

3 TRAINING

Develop a comprehensive program for safe RIP-R-STRIPPER operation by owner(s) and/or operator(s). Program will include, but is not limited to: instructional operation requirements, applicable OSHA requirements, local laws, and regulations, job site safety plus RIP-R-STRIPPER maintenance. Constantly examine and upgrade program to guarantee owner(s) and/or operator(s) safety. Each operator must be fully instructed regarding specifics of this safety program.

4 SAFETY SYMBOLS

SAFETY ALERT SYMBOL & SIGNAL WORDS

The safety alert "general warning" symbol indicates a potential personal injury hazard. A signal word (DANGER, WARNING, or CAUTION) is used with the alert symbol to designate the degree or level of hazard seriousness. Other safety symbols may be used to represent the type of hazard in combination with "general warning" symbol, in highlighted boxes, or individually.

DANGER:

Indicates a hazard with a high level of risk which, if not voided, will result in death or serious injury.

WARNING:

Indicates a hazard with a medium level of risk which, if not avoided, could result in death or serious injury.

CAUTION:

Indicates a hazard with a low level of risk which, if not avoided, could result in minor or moderate injury.

The following safety alert symbols identify important safety messages in this manual. When you see these symbols, be alert to the possibility of personal injury and carefully read the message that follows.

SAFETY SYMBOLS & MEANINGS

Symbol	Meaning	Symbol	Meaning
	Action Required		No Trash Containers
	Read Manual		General Warning
	Wear Ear Protection		Warning, Flammable Material
	Wear Eye Protection		Warning, Explosive Material
	Wear Protective Gloves		Warning, Toxic Material
	Wear Safety Shoes		Warning, Electricity
	Wear Breathing Protection		Warning, Body Entrapment
	Disconnect From Power		Warning, Sharp Element
	No Open Flame		Warning, Floor Level Obstacle
	No Smoking		Warning, Drop Off
	No Active Mobile Phone		Warning, Slippery Surface
	No Food Or Drink		

5 SAFETY INSTRUCTIONS



WARNING

- These safety instructions provide guidelines to promote safety and efficiency with the RIP-R-STRIPPER.
- No warranty, guarantee or representation is made by manufacturer as to absolute correctness or sufficiency of any information or statement.
- Safety instructions are intended to deal with common practices and conditions encountered in use of RIP-R-STRIPPER and are not intended to be all inclusive.
- Not following instructions in this manual can result in property damage, personal injury and/or death.



DANGER



- This product can expose you to chemicals including greases, lubrication oils, silica dusts and asbestos which are known to the State of California to cause cancer and carbon monoxide (if gasoline engine powered) which can cause birth defects or other reproductive harm. For more information: www.P65Warnings.ca.gov.

BEFORE OPERATING



1. BEFORE operating RIP-R-STRIPPER, read this manual to familiarize each operator with correct operating procedures.
2. Visually inspect RIP-R-STRIPPER per MAINTENANCE INSTRUCTIONS STEPS 5 through 11 of this manual.
3. Determine RIP-R-STRIPPER is in original, factory configuration and has not been modified in any manner. If questions arise about possible modifications, contact the Customer Service Department BEFORE utilization. There is no charge for this service.
4. Always start and stop RIP-R-STRIPPER according to instructions to minimize possibility of unexpected or uncontrolled blade/accessory movement. Know how to stop unit in an emergency.

Physical Exertion/Body Strain

Operating RIP-R-STRIPPER requires proper physical stamina, mental alertness and is strenuous. Operators must be in proper physical condition, mental health and not under the influence of any substance (drugs, alcohol, etc.) which might impair vision, dexterity or judgement. Take work breaks to maintain stamina and alertness. If you have condition(s) that might be aggravated by strenuous work, check with doctor BEFORE operating.

Vibration

Prolonged use of RIP-R-STRIPPER (or other, similar machines) exposes operator to vibrations which may produce Whitefinger Disease (Raynaud's Phenomenon) reducing hand's ability to feel and regulate temperature, produce numbness, and burning sensations plus may cause nerve, circulation damage and tissue necrosis. Continuous and regular users should closely monitor condition of hands and fingers. After each period of use, exercise to restore normal blood circulation. If any symptoms appear, seek medical advice immediately.

Noise

RIP-R-STRIPPER and actual floor covering removal process creates exposure to high noise emission levels that can result in hearing loss or damage. Hearing protection is required while operating or when near operating equipment. Continuous and regular operators should have their hearing checked regularly.

Clothing

Clothing must be sturdy, snug fitting, but allow complete freedom of movement. Never wear loose fitting jackets, scarves, neckties, jewelry, flared or cuffed pants or anything that could become caught on controls or moving parts. Properly secure eyeglasses, hearing aid devices and other medical related devices. Wear long pants to protect legs. Protect hands and improve grip with heavy duty, nonslip gloves. Wear and properly lace sturdy boots with nonslip soles. Steel-toed safety shoes are mandatory. Wear approved safety hard hat where there is danger of head injuries and/or approved breathing mask where danger of airborne foreign particulate contamination is present.

Flying Debris

Floor covering removal process can result in flying debris. Eye protection and appropriate safety apparel is required when near or operating RIP-R-STRIPPER. DO NOT operate unit with onlookers or animals close by.

BACK CARE & PROPER LIFTING PROCEDURES

Operators will be required to lift the RIP-R-STRIPPER as demanded by specific job applications. When lifting, one person is required. Utilize proper lifting techniques to minimize fatigue and back-related injuries.

Back Anatomy

The human body is supported by the spinal column consisting of thirty bones called vertebrae, all linked and supported by a series of muscles. Pads called discs separate each vertebrae, acting as cushions to pressure from external forces. Spinal column is wrapped by nerve system with three sections that require being kept in natural alignment to prevent discomfort:

- Cervical: From base of neck to brain.
- Thoracic: From middle to lower back.
- Lumbar: From lower back to buttocks area.

Back Care Preventative Measures

Most occupational physicians agree on several "universal" preventative measures an operator should follow to help lower risk of back-related injuries:

1. Maintain proper body weight.
2. Eliminate/reduce use of tobacco. Smoking reduces oxygen supply and nutrients to discs cushioning vertebrae.
3. Develop a consistent exercise routine.
4. Maintain good posture while walking or sitting.
5. Watch how you twist/bend your body. Twisting/bending incorrectly can exert too much pressure on discs and vertebrae.
6. Use firm footing, keep intended path clear before carrying RIP-R-STRIPPER.
7. Always use proper lifting techniques as described below.

PROPER LIFTING PROCEDURES

The following are guidelines for properly lifting the RIP-STRIPPER are not intended to be all inclusive. Plan your path and make sure there are no obstructions or tripping hazards. Consider how you will set the load. The spinal column is a very sensitive mechanism. At any given time, improper lifting procedures can cause damage that can lead to injury.

1. Position feet a comfortable distance (shoulder width) apart to help provide necessary balance.
2. Tighten stomach muscles by pulling in your stomach. Keep back as straight as possible to keep spine, back muscles/ligaments in alignment.
3. Bend at hips and knees as much as possible.
4. Start lifting RIP-R-STRIPPER by thrusting feet while lifting as much as possible with leg muscles. Use smooth movements.
5. Once RIP-R-STRIPPER is lifted, keep it close as possible to the body. Avoid turning at waist. To turn, pivot entire body.
6. Keep shoulders, hips and feet pointed in same direction.

IMPORTANT: Use firm footing, keep intended path clear before carrying RIP-R-STRIPPER.

TRANSPORTATION



1. When transporting RIP-R-STRIPPER, remove extension cord and store. Store machine power cord on cord retention device on side of operator handle. Remove accessory blade from machine and store per INSTALLING & REMOVING ACCESSORY BLADES in MACHINE SET-UP section of this manual when in following operating conditions:
 - a) To and from jobsite.
 - b) Longer distances while being repositioned on jobsite.
 - c) Traversing up and down stairways.
 - d) Performing maintenance and/or repairs.
 - e) Lifting/lowering from transportation vehicle.

DANGER

- Lifting/lowering and transporting RIP-R-STRIPPER with accessory blade installed and/or improperly secured can result in property damage and/or personal injury.

WARNING

- Disconnect extension cord from RIP-R-STRIPPER when traversing up and down stairs.
- Store RIP-R-STRIPPER power cord on operator handle retention device when traversing up and down stairs.
- Improperly stored/connected cord can entrap and/or entangle personnel.
- Such occurrence can result in property damage and/or personal injury.

2. To lift and carry the RIP-R-STRIPPER grab operator handle shaft, using one hand, just above where handle attaches to main frame portion of unit. FIGURE 1



FIGURE 1

3. As unit is lifted, using proper lifting procedures, use other hand to place down-pressure on opposite end of operator handle. This will balance unit on first hand in STEP 2. Operator handle will be fairly level to ground with blade attachment clamp pointing upward. FIGURE 2



FIGURE 2

DANGER

- DO NOT attempt carrying/lifting/lowering RIP-R-STRIPPER and/or doing so into/from transportation vehicle if person is not in proper physical/mental condition or unfamiliar in proper lifting procedures.
- Such actions can result in property damage and/or personal injury.

4. To reduce storage area and minimize damage, transport RIP-R-STRIPPER in normal upright position with operator handle assembly removed from main frame. Refer to STEP 7 of INSTALLING & REMOVING OPERATOR HANDLE of MACHINE SET-UP section in this manual to remove handle assembly.
- a) DO NOT allow operator handle and main frame to make direct contact with each other while transporting. Provide proper protection between RIP-R-STRIPPER components and vehicle.

- b) DO NOT drop unit directly against exciter plate. Provide support block under main frame to prevent direct contact and/or damage to exciter plate and related components.

5. All equipment must be secured in/on vehicles with suitable strapping or tie downs. Personnel should not be transported in same compartment as equipment and supplies. Consult applicable OSHA regulations for specific information.

CAUTION

- An improperly secured RIP-R-STRIPPER and related accessories can fall from moving vehicle and result in property damage and/or personal injury.

DETERMINATION OF POTENTIAL SUBSURFACE HAZARDS IN PROPOSED FLOORING REMOVAL LOCATION(S)



RIP-R-STRIPPER operator handle grips are constructed of non-metallic composite material and do not guarantee operators will be properly insulated from contact with charged electrical cables. RIP-R-STRIPPER and related accessories are not classified as insulated.

RIP-R-STRIPPER is not sealed or insulated. DO NOT operate RIP-R-STRIPPER in an explosive atmosphere or near combustible materials. Refer to OSHA rules and regulations.

DANGER

- Always assume floor covering removal location contains buried underground obstructions.
- BEFORE attempting to operate RIP-R-STRIPPER in proposed location(s), call 811 and/or visit www.Call811.com.
- Contact all appropriate agencies to determine exact location(s) of all buried pipelines, powerlines and material debris.
- Many utilities and other agencies will perform these tasks at minimal charge or at no cost. Have all subsurface hazards marked for easy recognition.
- Direct contact with these and other subsurface hazards can result in property damage and/or personal injury through such things as electrocution and/or explosion.

WARNING

BEFORE attempting to operate RIP-R-STRIPPER, identify/mark all potential subsurface hazards in proposed floor covering removal location(s). Potential subsurface hazards may include, but may not be limited to the following:

1. Buried debris, rotted timbers or wood planking.
2. Buried pressurized pipelines (e.g. natural gas, propane, etc.)
3. Buried electrical cables.

DETERMINATION OF POTENTIAL ABOVE SURFACE HAZARDS IN PROPOSED FLOORING REMOVAL LOCATION(S)



Normal RIP-R-STRIPPER use is on level surfaces. Avoid other surface conditions which can be dangerous. Special care must be exercised on slippery, and/or difficult/uneven surfaces. Watch for cracks, high spots/other surface irregularities or drop offs to lower floor levels. Operate only when/where visibility and light are adequate for job at hand. Remove any trip/fall hazard BEFORE operating RIP-R-STRIPPER. Keep proper footing and balance at all times.

WARNING

- **DO NOT** operate RIP-R-STRIPPER on jobsite location where forces generated during floor covering removal process can allow body parts to come in direct contact with vertical wall, foundation or other support type structures in close proximity.
- Such occurrence can result in property damage and/or personal injury. Always maintain a safe and reasonable distance from these type structures.

WARNING

- **Water** and other conductive materials on work surface increases electrocution hazard potential for operator and other personnel.
- Determine RIP-R-STRIPPER is properly grounded (no faults), power cords are free of cuts, abrasions and/or exposed cable strands.
- Improper grounding and use of damaged power cords and/or GFI can result in property damage and/or personal injury.
- **DO NOT** expose RIP-R-STRIPPER to rain or wet operating conditions.
- **Water** entering machine can increase risk of electric shock.

OPERATIONAL HAZARDS



1. RIP-R-STRIPPER is designed to substantially enhance machine control and reduce operator fatigue provided accessory tool does not directly contact larger, protruding obstructions (anchor bolts, pipes, nail heads, columns, openings, large cracks, utility outlets, material variances, etc., or any objects protruding from work surface). Such contact can result in rapid and jerky movement of machine and/or loss of machine control.

CAUTION

- Exercise extreme caution when operating RIP-R-STRIPPER in vicinity of anchor bolts, pipes, columns, openings, large cracks, utility outlets or any object protruding from work surface.
- Contact with such objects can lead to loss of machine control, resulting in property damage and/or personal injury.

WARNING

- **Exercise extreme caution when operating RIP-R-STRIPPER on above ground level floors to prevent loss of control allowing machine and/or operator to fall down to lower levels.**
- **When moving backwards during floor covering removal process, be aware of potential drop-offs and obstructions on job site.**

2. The floor covering material removal process can produce sparks, dusts and other foreign particle contamination that can result in fire and/or explosion depending on existing jobsite conditions.

WARNING

- **Sparks produced by action of accessory cutting blade against work surface (e.g.- striking anchor bolts) can result in fire and/or explosion depending on existing environmental conditions.**
- **This occurrence can result in property damage and/or personal injury.**

3. Many covering materials, adhesives or mastics can contain asbestos and other chemicals that are known to cause physical harm and/or affect the environment.
4. Excessive water, and/or other conductive materials on work surface can result in electrocution of operator and/or other personnel.

- Preventive Measures:
- Operator must maintain physical and mental alertness. Be prepared for unexpected blade contact with protruding anchor bolts, etc. and be capable to sense level of machine control they have.
 - **DO NOT** operate RIP-R-STRIPPER on jobsite where kickback forces can allow body parts to come in direct contact with vertical wall, foundation or other support type structures. Maintain a safe and reasonable distance from these structures.
 - Maintain proper operating stance for better control of machine plus, reducing operator error and fatigue. Refer to PROPER OPERATOR STANCE in OPERATING INSTRUCTIONS section of this manual for more information.
 - Remove water and/or conductive materials by industry-approved and/or accepted practice BEFORE removing floor covering. Determine RIP-R-STRIPPER is properly grounded and extension cords are free of cuts, abrasions and/or exposed cable strands.
 - Dust and other particle contamination can be controlled by use of appropriate industrial-type dust collection system to remove/control dust and other particle contamination from work surface.

WARNING

- **Creation of dust and other foreign particle contamination from floor covering removal process can result in property damage and/or personal injury.**
- **For such operating conditions, always wear NIOSH/MSHA approved dust/mist respirator and appropriate safety related apparel.**
- Consult applicable OSHA regulations for specific information.

WARNING

- **Always utilize water mist spray system to operate within specific job site requirement.**
- **Dust materials can meet Class II or Class III National Electric Code specifications for hazardous materials.**
- **Consideration must be given to creation of hazardous materials requiring specific disposal procedures.**
- **Determine water mist spray system is properly designed to operate within these atmospheres.**
- **Consult current National Electric Code, OSHA and EPA regulations for specific information.**

WARNING

- **Always use dust collection system that meets specific job site requirements.**
- **Dust materials can meet Class II and Class III National Electric Code specifications for hazardous materials.**
- **Consideration must be given to creation of hazardous materials requiring specific disposal procedures.**
- **Determine dust collection system is properly designed to operate within these atmospheres.**
- **Consult current National Electric Code, OSHA and EPA regulations for specific information.**

6 MACHINE SPECIFICATIONS

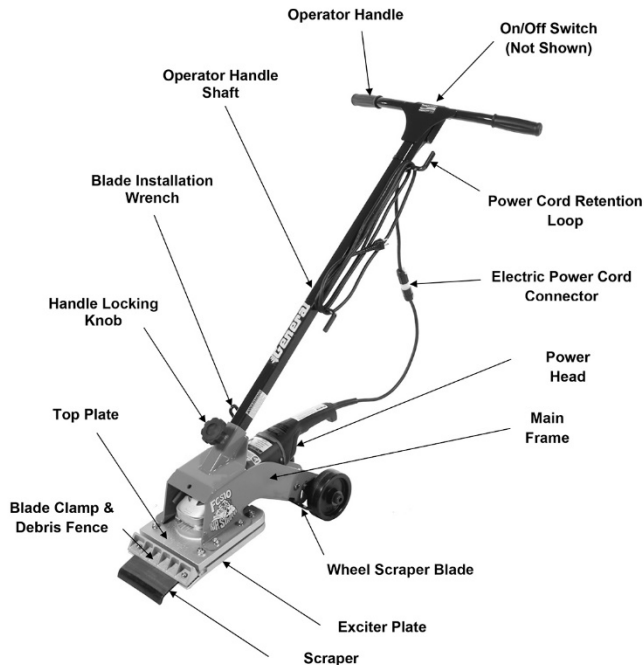


FIGURE 3

FRAME STRUCTURE	Unitized, welded steel plate.
DRIVE SYSTEM	Random orbit, direct shaft mount.
NUMBER ELASTOMERIC RUBBER MOUNTS	4
NUMBER BLADE OSCILLATIONS	3400 per minute
MAIN FRAME WIDTH	8-1/4 inches (210 mm)
MAIN FRAME LENGTH	23-1/4 inches (591 mm)
OPERATOR HANDLE WIDTH	23-3/64 inches (585.4 mm)
OPERATING LENGTH	36-13/32 inches (924.8 mm)
OPERATING HEIGHT	43-1/2 inches (1105 mm)
WEIGHT	44 lbs (19.6 Kg), less blade.
ELECTRIC MOTOR	2300W, 115 VAC, 60 HZ, 15 Amperes thermally protected.
EXTENSION CORDS	Minimum rating for non-manufacturer supplied extension cords SJTW 12 AWG/3C (3 x 3.31 mm ²) up to a maximum cord length of 75 feet (22.9 M).
OPERATING ENVIRONMENTS	Non-hazardous type locations.
REQUIRED NUMBER OF OPERATORS	1

NOISE & VIBRATION EMISSIONS

Description	North America	Europe
Model	FCS10GEN2	
Noise Level	94 db	
Vibration Level	6.2 m/s ²	

RIP-R-STRIPPER POWER SOURCE

The RIP-R-STRIPPER is designed to operate from a clean, 15 ampere, 115 VAC, 60 Hz, nominal power source. Contact Customer Service Department for information for operation from 220 VAC, 50 Hz power source. Clean power refers to amperage available from individual electrical circuit selected.

Additional electrical products already using same circuit will reduce available amperage resulting in starting/operational difficulties. Check proper voltage and amperage levels in addition to power source being properly grounded.

Proper voltage and amperage to electric motor is essential for maximum productivity and service life. Low voltage and amperage will cause motor to overheat and can cause unreparable damage to motor and related controls. An improperly grounded circuit increases risk of electric shock. A qualified electrician may need to be consulted.

IMPORTANT: Operating RIP-R-STRIPPER with improper voltage and/or amperage will result in unreparable damage to electric motor and related controls.

7 STANDARD PRODUCT & ACCESSORIES

Refer to FIGURE 3 for overview description of standard components included in machine. Included in shipment for FCS10GEN2 RIP-R-STRIPPER should be the following:

- 1 each, Model FCS10GEN2 RIP-R-STRIPPER main frame assembly
- 1 each, Operator handle assembly
- 1 each, T-Handle Hex Key
- 1 each, 4 inch wide straight blade, part # FCS16-1100
- 1 each, 10 inch wide straight blade, part # FCS16-1300
- 1 each, Final inspection form

ACCESSORIES

NOTE: All blades are for use in general purpose projects on both wood and cement surfaces unless otherwise designated.

	Part #	Description	Weight (in lbs)
	FCS16-1050	Blade, scoring, 4 x 6 inch wide, single bevel edge. Cement surfaces ONLY.	0.4
	FCS16-1100	Blade, straight, 4 inch x 6 inch, single bevel edged.	0.5
	FCS16-1200	Blade, angled, 6 inch wide, single beveled edge. Cement surfaces ONLY.	2.0
	FCS16-1300	Blade, straight, 3 inch x 10 inch wide, single beveled edge.	0.5
	FCS16-1500	Blade, scoring, 8 inch wide, beveled edge FACING UP. For removing glued carpet, and sheet type linoleum, rubber, PVC, etc., from cement surfaces ONLY.	0.5
	FCS16-1600	Blade, scoring, 8 inch wide, beveled edge FACING DOWN. For removing glued carpet, and sheet type linoleum, rubber, PVC, etc., from WOOD surfaces ONLY.	0.5

8 MACHINE SET-UP



Open the shipping carton immediately upon receipt. Remove RIP-R-STRIPPER from cartons. Visually inspect contents for freight damage and/or missing parts. If shipping damage is evident, contact delivering carrier immediately to arrange for an inspection of damage by their claims representative. **DO NOT DESTROY OR DISCARD SHIPPING CARTON UNTIL INSTRUCTED BY AUTHORIZED REPRESENTATIVE OF CARRIER OR FACTORY.** If missing parts are detected, notify your dealer who will assist you in obtaining them.

NOTE: If ordered with RIP-R-STRIPPER, optional blades and accessories can be shipped separately or included in shipping carton.

NOTE: RIP-R-STRIPPER is shipped from factory with operator handle assembly uninstalled to main frame. All lubrication fittings are lubricated at factory and will not require further servicing until first scheduled maintenance.

INSTALLING & REMOVING OPERATOR HANDLE

Installation of operator handle will require a level work surface of appropriate size and height.

Tools Required:
No tools required.

1. Set main frame assembly on work surface making sure all wheels and blade clamp/debris fence area are in contact with surface.
2. Loosen operator handle locking knob until threaded stud end is flush with inside of operator handle receiver. DO NOT remove completely. FIGURE 4.



FIGURE 4

3. Slide bottom end of operator handle assembly into operator handle receiver of main frame until fully seated. FIGURE 5



FIGURE 5

IMPORTANT: Small round hole near end of operator handle must be facing up to allow locking knob to pass completely through and secure operator handle.



WARNING

- Operator handle assembly must be fully engaged and secured in position to main frame.
- Improper assembly to main frame can result in property damage and/or personal injury.

4. Hand tighten operator handle locking knob to fully secure operator handle shaft assembly to main frame. Approximately 3/8 inch only of locking knob thread will be exposed above operator handle receiver when secured.
5. Determine RIP-R-STRIPPER ON/OFF switch is in OFF position and unit is not connected to power source.



WARNING

- Unexpected machine start-up can result in property damage and/or personal injury.

6. Connect power head power cord to power cord located at switch end of operator handle assembly. Twist to lock to prevent separation. FIGURE 6



FIGURE 6

7. To remove operator handle assembly, turn ON/OFF switch to OFF position and disconnect unit from power source (if applicable). Disconnect power cords by reversing STEP 6, loosen operator handle locking knob by reversing STEP 4, then remove operator handle from main frame operator handle receiver. FIGURE 7



FIGURE 7

8. Inspect all fasteners for looseness. Tighten as necessary. Consult fastener torque chart for proper torque value if any fastener requires retorquing.
9. Determine all components of RIP-R-STRIPPER allow for proper function as stated in this operator manual.



WARNING

- Determine all components of RIP-R-STRIPPER allow for proper function and meet minimum operational standards as stated in this operator manual.
- Improper functioning components can result in property damage and/or personal injury.

INSTALLING & REMOVING ACCESSORY BLADES



Tools required:
1 each, 5/32 inch (4 mm) T-handled Allen wrench provided with machine.

Parts Required:
1 each, blade appropriate for job application.

! DANGER !

- Wear appropriate safety glasses and other appropriate safety apparel when installing or removing blade on RIP-R-STRIPPER.
- Improper contact with sharp edge can result in property damage and/or personal injury.

- Turn RIP-R-STRIPPER ON/OFF power switch to OFF position. Disconnect extension cord from power source. Disconnect extension cord from RIP-R-STRIPPER power cord.

! WARNING !

- Unexpected machine start-up can result in property damage and/or personal injury.

- Tilt RIP-R-STRIPPER back until operator handles contact floor. Apply appropriate weight to handle and chock wheels to stabilize to prevent unexpected movement and/or falling of machine. Other methods can be used to appropriately support/stabilize machine. FIGURE 8

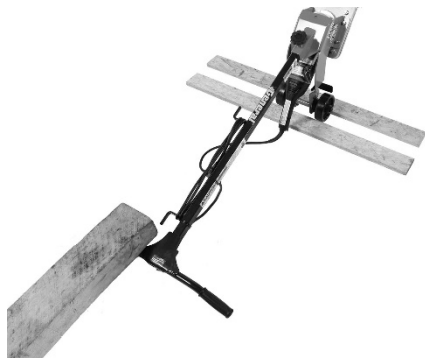


FIGURE 8

! WARNING !

- Exercise extreme caution when working near or under RIP-R-STRIPPER in servicing position.
- If RIP-R-STRIPPER is not positioned on stable work surface or in stable configuration unexpected movement can allow RIP-R-STRIPPER to fall forward relative to work surface.
- This occurrence can result in property damage and/or personal injury.

- If existing blade is present in machine, reinstall protective edge covering (if originally supplied with blade) to prevent injury and protect blade edge.

! CAUTION !

- New and existing blades are extremely sharp.
- Proper handling must be taken when removing from package, installing/removing from machine, or transporting machine.
- Improper handling can result in property damage and/or personal injury.

- Using T-handle wrench, loosen cap screws securing blade clamp. DO NOT fully remove screws or blade clamp.

! CAUTION !

- Use of worn and/or damaged accessory tool can result in property damage and/or personal injury.
- Consult specific accessory tool information supplied by tool manufacturer.

- Remove existing blade and properly store. If installing new blade proceed to STEP 8 below. If no blade is to be reinstalled, proceed to STEP 9 below.

! CAUTION !

- Always store accessory blade with protective edge covering properly installed (if supplied with blade) to minimize effects of external damage to cutting edge and potential for property damage and/or personal injury.
- DO NOT remove protective edge covering from blade if machine is not to be used immediately.

- Slide new accessory blade between blade clamp and exciter plate until blade contacts blade stop on top side of exciter plate at back, bottom edge of blade clamp. If present, DO NOT remove protective blade edge covering if machine is not used immediately. FIGURE 9



FIGURE 9

NOTE: Accessory blades less than 6 inches (152.4 mm) wide are centered between cap screws and may or may not have a center slot for locating/sliding around cap screw shank (if applicable). Blades wider than 6 inches (152.4 mm) provide slots that locate/slide around cap screw shanks located toward left/right sides of unit.

NOTE: Blades are provided with a protective finish. When not in use, protect and store blades appropriately to prevent rust damage.

- Tighten cap screws using only the T-handle wrench provided/stored on machine. DO NOT use any other tool or apply impact force to screws. Wrench is designed to keep body parts a safe distance from blade edge and provide proper seating when tightening screws. FIGURE 10



FIGURE 10



CAUTION

- Tighten/loosen cap screws with T-handled wrench provided with machine only.
- T-handled wrench was selected to keep body parts a practical distance from blade during cap screw loosening/tightening process.
- DO NOT use another type wrench/device for tightening/loosening cap screws.
- DO NOT apply any impact force to cap screws. T-handled wrench will supply ample seating torque at normal arm strength levels.
- Using incorrect wrench, and /or applying excessive impact force or torque can cause wrench to slip out of cap screw and result in property damage and/or personal injury.



CAUTION

- DO NOT substitute different fastener for factory supplied cap screw.
- Cap screw head configuration was selected for operational considerations during flooring removal.
- Use of other fastener types will reduce operational performance of machine and can result in property damage and/or personal injury.

8. Store T-handled blade wrench in storage location provided on right, inside, side of machine (as viewed from operator position). Remove any additional adjusting/tightening wrenches BEFORE operating RIP-R-STRIPPER.
9. If RIP-R-STRIPPER is to be placed back into service immediately, lower machine so blade rests on floor then reverse procedure in Step 1 under INSTALLING & REMOVING ACCESSORY BLADES. If not being placed back into immediate service, refer to STORAGE INSTRUCTIONS section of this manual.

9 APPLICATION THEORY & TECHNIQUES



The RIP-R-STRIPPER operates on principle of accessory blades attached to an exciter plate oscillating with random orbital action to remove a variety of floor covering materials from work surfaces. Accessory blades used will affect type of materials to be removed, material removal rate(s) and resulting smoothness of work surface.

Floor covering removal process is directly controlled by:

1. Blade type, cutting edge bevel direction, angle and sharpness.
2. Sufficient machine weight and/or down force as provided by operator to accessory blade to effectively penetrate and remove floor covering material.
3. Adequate force exerted against RIP-R-STRIPPER by operator to push accessory blade against floor covering material to deliver acceptable productivity rates.
4. Type, density, thickness and adhesion of adhesives, mastics, thinsets and type of floor covering material.
5. No two floor covering materials are exactly alike, no two floor covering materials can be removed by exact same method and overall operator feed rates vary. The floor covering removal process, along with operator experience, skill and common sense, suggests flooring removal is a matter of trial and error and directly determines overall success of the job application.

ACCESSORY BLADE TYPES & APPLICATIONS

RIP-R-STRIPPER blades are fabricated from high carbon steel, precision machined and marked for use on either cement or wood surfaces. Blade cutting edge bevel direction is important for floor removal performance and preventing damage to flooring substrates.

NOTE: On cement surfaces, blade beveled cutting edge is positioned facing up. FIGURE 11

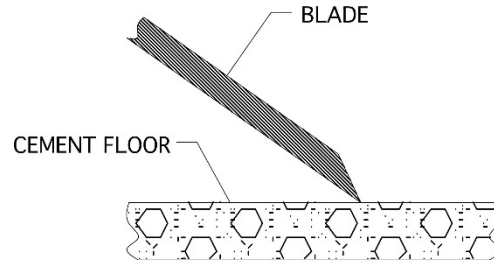


FIGURE 11

NOTE: On wood surfaces, blade beveled cutting edge is positioned facing down allowing blade to skim over versus gouging or digging into surface. FIGURE 12

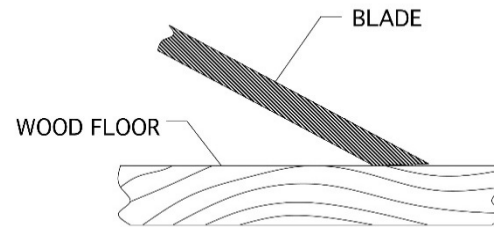


FIGURE 12

Individual accessory blade design will vary, but basic operational characteristics are identical: orbital oscillation against floor surface and remove floor covering material. This common operational characteristic through extensive testing has led to use of the following popular configurations:

Angled Mastic Removal Blade

Blade removes a wide variety of adhesives, mastics and material residues from cement surfaces only. Beveled cutting edge faces down. Refer to FIGURE 12. Use on wood surfaces will damage substrate material. The steeper blade angle increases penetration to shear and scrape materials from surface. FIGURE 14



FIGURE 14

Straight Beveled Cutting Edge Blade

Blade removes a wide variety of VCT and linoleum tiles along with general material removal from concrete and wood surfaces. Beveled edge faces up for cement surfaces. Beveled edge faces down for wood surfaces. Specific blades are available for removing floor covering materials from either cement or wood surfaces. FIGURE 15

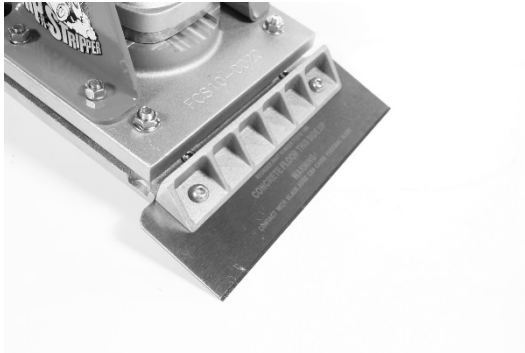


FIGURE 15

Straight Beveled Scoring Blades

Blade removes glued type carpet and soft sheet type (PVC, rubber, linoleum, etc.) materials from cement and wood surfaces. Cutting wings score floor covering material to aid removal. Specific part numbers are available for removing covering materials from either cement or wood surfaces. Always mount with cutting wings pointing up to prevent damage to work surface. FIGURE 16



FIGURE 16

IMPORTANT: DO NOT operate straight beveled scoring blade with cutting wings pointing downward toward work surface. Damage to work surface can result.

FLOOR COVERING REMOVAL TECHNIQUES

The combination of factors makes it impossible to develop standardized RIP-R-STRIPPER removal techniques and will require trial and error until satisfactory results are achieved. Experience gained over time, along with common sense, will help minimize the amount of necessary testing.

1. Specific type and/or density of adhesives, mastics and thinset materials that bond floor coverings to work surface plus variety of floor covering materials and jobsite conditions can affect removal rates. Many factors directly affect operating parameters and/or techniques utilized for special job applications.
 - a) Many adhesives/mastics remain flexible in fully cured state and are usually darker or black in color.
 - b) Adhesives/mastics that become dried and non-flexible when fully cured are usually yellowish/opaque in color and require less effort to remove than darker types.
2. Adhesive/mastic densities or thicknesses vary due to work surface application rates directly affecting bond strength. Due to these variations, accessory blade angle may need to be adjusted to optimize removal rates. As a general rule the following is true:
 - a) Thinner adhesives (i.e.-amount used), require a lower accessory blade angle relative to work surface.
 - b) Thicker adhesives (i.e.-amount used), require a higher accessory blade angle relative to work surface.

3. In general, for thinner adhesives (i.e.-amount used), lower shear force is required to remove and increases floor covering removal rates. The accepted procedure is to decrease effective blade width plus determine optimal blade angle relative to work surface.
4. In general, for thicker adhesives (i.e.-amount used), higher shear force is required to remove and decreases floor covering removal rates. The accepted procedure is to increase effective blade width plus determine optimal blade angle relative to work surface.
5. Higher material removal rates can sometimes be achieved by making passes 90 degrees to each other forming a waffle-like pattern. Technique is especially useful when removing deeper accumulations of rubber-like materials, material residues and dirt/debris from industrial floors.

10 OPERATING INSTRUCTIONS



IMPORTANT: DO NOT operate RIP-R-STRIPPER until each operator completely comprehends contents of this manual.



CAUTION

- If RIP-R-STRIPPER and/or an individual component/ accessory does not appear to function properly, STOP and DO NOT operate RIP-R-STRIPPER until corrective action has been completed.
- Operation with improperly functioning machine, components/accessories can result in property damage and/or personal injury.
- If you have any questions regarding proper operation of RIP-R-STRIPPER, contact Customer Service Department for assistance BEFORE using. There is no charge for this service.



WARNING

- Floor covering removal process can produce excessive noise, vibration and flying debris.
- All operators and work personnel in RIP-R-STRIPPER vicinity must wear appropriate safety eye wear and hearing protection.
- Other safety apparel and/or procedures, deemed necessary by supervisory personnel, must also be worn and/or practiced by all appropriate personnel.



CAUTION

- Individual operator experience, skill, common sense, job site location and specific job application will affect final decision on specific operating procedures for RIP-R-STRIPPER.
- Each operator must decide if he possesses adequate/proper experience, skill and common sense for operating RIP-R-STRIPPER in any given and/or specific job application.

RIP-R-STRIPPER SET-UP ON JOBSITE

1. Position RIP-R-STRIPPER on a suitable work surface.
2. Determine RIP-R-STRIPPER ON/OFF switch is in OFF position and unit is not connected to power source. FIGURE 17



FIGURE 17



WARNING

- Unexpected machine start-up can result in property damage and/or personal injury.

3. Install operator handle assembly to main frame per STEPS 1 thru 6 in INSTALLING & REMOVING OPERATOR HANDLE section within MACHINE SET-UP section of this manual.
4. Install accessory blade per procedures in INSTALLING & REMOVING ACCESSORY BLADES in MACHINE SET-UP section of this manual.
5. Lock power head ON/OFF switch into ON position by placing index finger on bottom side, front portion, of switch then rock up and toward bottom of operator handle until it locks in place. FIGURE 18



FIGURE 18

NOTE: To release power head switch to OFF position, simply press upward on back portion of switch and release. Front portion of switch will unlock and become fully exposed.

6. Connect extension cord to main power cord of RIP-R-STRIPPER. FIGURE 19



FIGURE 19



WARNING



- DO NOT modify or replace any extension cord component without utilizing a factory approved component only.

7. Connect additional extension cord to remaining end of first extension cord (if applicable).

IMPORTANT: If additional extension cords are required, each cord must be of proper structural integrity and size (AWG) to meet applicable National Electric Code and OSHA requirements. An additional extension cord with integral GFI can be used in conjunction with RIP-R-STRIPPER which also has an integral GFI.



WARNING



- If operating RIP-R-STRIPPER in outside environment, use only extension cords marked "W-A" or "W".
- Such cords are rated for outside usage and reduce risk of electric shock.



WARNING



- All electrical wiring including extension cord gauge and/or length must be installed and/or approved in accordance with local electrical codes and practices.
- An improper wiring installation can result in property damage and/or personal injury.



WARNING

- For maximum protection against a fault, if used, always configure GFI to be plugged into power source receptacle.
- Configurations with GFI placed between RIP-R-STRIPPER and power source will not provide maximum protection against potential fault.



DANGER



- DO NOT operate RIP-R-STRIPPER without extension cords/GFI in proper operating condition. The GFI is intended as a safety device in event power source has a fault.
- Always assume electrical wiring on every jobsite can contain a fault.
- A fault can generate a dangerous operating configuration that can result in property damage and/or personal injury.



WARNING



- Keep power and extension cords free and clear of machine and blade.
- In event extension cord becomes entangled about RIP-R-STRIPPER and/or operator turn machine OFF immediately.
- Determine extension cords/GFI are in proper condition to continue operation.
- In event of damage, replace with factory approved component only and/or products meeting applicable National Electric Code and OSHA requirements.



WARNING



- DO NOT abuse the power cord. Never use power cord to move RIP-R-STRIPPER or pull plug from receptacle. Damage to cord can result.
- Keep cord away from heat, oil, sharp edges (including accessory tool) or moving parts.
- A damaged cord increases the risk of an electric shock.

WARNING

- BEFORE use, inspect each extension cord and wiring device for proper structural integrity.
- DO NOT use cord with worn or cut outer jacket material or repaired with electrical tape.
- Use of cords with improper structural integrity can result in property damage and/or personal injury.

- Position end of accessory blade on work surface with blade edge facing away from operator.

PROPER OPERATOR STANCE (FIGURE 20):

- Grasp handle grips firmly. Always hold operator handle firmly with both hands. Wrap fingers and thumbs around handle grips. Wear gloves to improve grip.
- Attempt to keep wrists and forearms inline to operator handle shaft as much as feasible. Proper wrist position during removal process can minimize and/or reduce stress and strain related damage potential to this body area, plus, operator control can be enhanced and fatigue reduced.
- Keep upper body as vertical as possible.
- Keep feet comfortable distance apart for stability – shoulder width, one foot in front of the other.
- Operator must always stand behind machine when in use.



FIGURE 20

NOTE: Using improper operator stance (FIGURE 21):

- Reduces operator control and balance.
- Increases operator fatigue.
- Increases risk of property damage and/or personal injury.



FIGURE 21

NOTE: Proper and improper operator stances depicted in this operator manual are not all inclusive.

STARTING RIP-R-STRIPPER

- Grasp handle grip firmly in one hand and apply down force on handle to reduce load on blade while still in contact with work surface. Turn RIP-R-STRIPPER ON/OFF switch to ON position with other hand. Exciter plate begins movement when motor starts. Once motor achieves operating speed remove down force on handle. FIGURE 22



FIGURE 22

DANGER

- DO NOT modify, bypass or disable RIP-R-STRIPPER ON/OFF switch on operator handle or power head.
- DO NOT operate machine if machine ON/OFF switch on operator handle or power head are not functioning properly.
- Such configuration will not allow operator to quickly stop RIP-R-STRIPPER in event of an emergency, prevent unexpected machine start-up, loss of control and/or “runaway” machine and can result in property damage and/or personal injury.

- Using proper operator stance, push forward with both hands on operator handle to begin floor covering removal process. If power/extension cord becomes entangled about RIP-R-STRIPPER and/or operator turn machine operator handle ON/OFF switch to OFF position immediately.

DANGER

- Always maintain proper control of RIP-R-STRIPPER.
- Exciter plate begins movement when motor starts. There is no automatic motor shut off feature on machine.
- If operator loses control, a “runaway” machine can result in property damage and/or personal injury.

- Consistently remove loose flooring material to determine proper material removal depths and extent of work completed. Lack of proper dust collection system and/or broom use can increase problem.

IMPORTANT: Properly dispose of all accumulated floor covering materials according to international and local environmental regulations. RIP-R-STRIPPER normal use creates material build-up on machine. It is highly recommended all exposed internal/external surfaces be properly cleaned after each use plus, adjust wheel scraper clearance to minimize build-up on wheels. Refer to MAINTENANCE INSTRUCTIONS section of this manual for more information.

WARNING

- Properly dispose of all accumulated floor covering materials per OSHA and EPA codes/regulations.
- Many materials can be classified as hazardous requiring proper disposal procedures.
- Contact applicable government agencies for specific information.

STOPPING RIP-R-STRIPPER



- Turn RIP-R-STRIPPER ON/OFF switch on operator handle to OFF position between each use or when moving from one major section of work surface to another. FIGURE 23



FIGURE 23

18. Turn power head ON/OFF switch to OFF position. FIGURE 24



FIGURE 24

19. Disconnect extension cord from power source. Never leave RIP-R-STRIPPER connected to power source and unattended.
20. Disconnect extension cord from RIP-R-STRIPPER power cord.

WARNING

- Stop RIP-R-STRIPPER when moving from one major section of work surface to another.
- DO NOT choose to save time (time required to restart machine), money (if RIP-R-STRIPPER is being rented) or gain added convenience by electing to keep machine running between major sections.
- Never leave RIP-R-STRIPPER running and unattended.
- Not doing so can result in property damage and/or personal injury.

11 MAINTENANCE INSTRUCTIONS



For routine maintenance, the following information should be followed at minimum once per week or 40 hours of use for maximum performance and return on investment unless otherwise indicated. Information is for reference only and is not intended to be all inclusive.

1. Use factory approved replacement parts/accessories only for maintenance and repair purposes.

WARNING

- Operating RIP-R-STRIPPER utilizing components not meeting minimum operational standards can result in property damage and/or personal injury.

2. All maintenance/repairs not described in this operator manual must be done by a dedicated service center following a specific service/repair manual.
3. STOP RIP-R-STRIPPER BEFORE performing maintenance per STOPPING RIP-R-STRIPPER in OPERATING INSTRUCTIONS section of this manual.

WARNING

- Disconnect RIP-R-STRIPPER power cord from power source before performing any service work or repair.
- Failure to properly disconnect RIP-R-STRIPPER power source can result in property damage and/or personal injury.

4. Remove accessory blade per INSTALLING & REMOVING ACCESSORY BLADE in MACHINE SET-UP section of this manual.
5. Inspect for loose or broken parts. Inspect each blade for sharpness and cracking. Inspect all fasteners, individual parts, operator controls and safety devices for proper function. Tighten fasteners as necessary. Replace any worn or damaged part or assembly.
6. Remove all loose material accumulations, dirt and grease on internal/external surfaces to prevent safety hazards, poor performance and reduced service life. Use proper dust collection system as necessary to remove most accumulation then use safety type solvent for final RIP-R-STRIPPER cleaning. Failure to clean RIP-R-STRIPPER can result in formation of dried material build-up reducing bearing service life and increase vibration levels felt by operator during operation.
7. Inspect interior sections of transmission mount and exciter for material build-ups. Clean and remove material build-ups as needed.

IMPORTANT: Electric motor is an enclosed, fan cooled design. Keep power head housing air vents clear of material accumulations for proper air flow/cooling.

IMPORTANT: DO NOT use thinner, benzene, or other volatile solvents that can attack rubber/plastic components when cleaning RIP-R-STRIPPER.

DANGER

- Use safety type solvent.
- Provide adequate ventilation.
- DO NOT smoke while using cleaning solvents.
- DO NOT use solvents with motor running or if it is hot.
- Allow ample time for motor to cool BEFORE using solvents.
- An ignition source in close proximity to hot motor can be source of an explosion, resulting in property damage and/or personal injury.

WARNING

- Properly dispose of all accumulated floor covering materials per OSHA and EPA codes/regulations.
- Many materials can be classified as hazardous requiring proper disposal procedures.
- Contact applicable government agencies for specific information.

8. Inspect RIP-R-STRIPPER operator handle and power head ON/OFF switches for proper function. If damaged or worn, replace.
9. Inspect operator handle grip surfaces for moisture, pitch, oil or grease and are not cracked, damaged or worn. If full of dirt or pitch, clean. If loose, damaged and/or worn or are missing, replace.
10. Inspect operator handle for structural integrity, cracks or abrasions.
11. Inspect all safety and operation decals for proper condition. If any decal becomes damaged and/or unreadable, replace.

12 SERVICE/REPAIR INSTRUCTIONS



The following information is intended for specific service/repair situations for the RIP-R-STRIPPER. Information is for reference only and is not intended to be all inclusive.

1. Use factory approved replacement parts/accessories only for servicing/repair purposes.



WARNING

- Operating RIP-R-STRIPPER utilizing components not meeting minimum operational standards can result in property damage and/or personal injury.

2. All service/repairs not described in this manual must be done by a dedicated service center following a specific service/repair manual. DO NOT service/repair RIP-R-STRIPPER unless designated service/repair technician has received adequate, professional instruction regarding proper procedures.
3. STOP RIP-R-STRIPPER BEFORE performing service and repair per STOPPING RIP-R-STRIPPER in OPERATING INSTRUCTIONS section of Operator's Manual.



WARNING

- Disconnect RIP-R-STRIPPER power cord from power source before performing any service work or repair.
- Failure to properly disconnect RIP-R-STRIPPER power source can result in property damage and/or personal injury.

4. Remove accessory blade per INSTALLING & REMOVING ACCESSORY BLADE in MACHINE SET-UP section of Operator Manual and inspect for sharpness and cracking. Sharpen blade per SHARPENING ACCESSORY BLADE in SERVICE/REPAIR INSTRUCTIONS section of this manual. Replace blade if severely worn or damaged.
5. Visually inspect RIP-R-STRIPPER per MAINTENANCE INSTRUCTIONS STEPS 5 through 11 of this manual.
6. Inspect rubber elastomeric mounts for damage and/or wear. Established service limits for mounts are 36 months or 150 operational hours, whichever comes first.
7. Inspect exciter flywheel support bearing, mounted in exciter plate, for excessive wear and smooth rotation. Clean area to remove material residue build-ups.

IMPORTANT: DO NOT use thinner, benzene, or other volatile solvents that can attack rubber/plastic components when cleaning RIP-R-STRIPPER.



DANGER

- Use safety type solvent.
- Provide adequate ventilation.
- DO NOT smoke while using cleaning solvents.
- DO NOT use solvents with motor running or if it is hot.
- Allow ample time for motor to cool BEFORE using solvents.
- An ignition source in close proximity to hot motor can be source of an explosion, resulting in property damage and/or personal injury.



WARNING



- Properly dispose of all accumulated floor covering materials per OSHA and EPA codes/regulations.
- Many materials can be classified as hazardous requiring proper disposal procedures.
- Contact applicable government agencies for specific information.

LUBRICATION

Intervals will vary dependent on machine use and operating environments. In general, lubrication should be performed after every 8 hours of continuous use.

Lubricants Required:

- 1 each, container dry film lubricant
- 1 each, grease conforming to NLGI #2 EP GC/LB specifications

1. Lubricate caster wheel bearing surfaces with dry film lubricant. DO NOT use other type lubricants that can attract foreign materials reducing service life.
2. Exciter flywheel support bearing is sealed and will not normally require lubrication during normal service life.
3. Transmission lubricant is sealed and should only require replacement when major service work is performed. To refill transmission, use 2 ounces (5 grams) of NLGI #2 EP GC/LB specification grade grease.

ACCESSORY BLADE SHARPENING

1. Blades can be sharpened using a file designed for use on metal materials. This method will not duplicate original blade sharpening process, but can significantly increase overall productivity rates versus use of a dull blade.



WARNING



- Exercise extreme caution sharpening accessory tools.
- Properly secure accessory blade when sharpening.
- Remain clear of cutting edge when sharpening. Observe all safety precautions.
- Improper contact with cutting edge can result in property damage and/or personal injury.

- a) Remove blade from RIP-R-STRIPPER per INSTALLING & REMOVING ACCESSORY BLADES in MACHINE SET-UP section of this manual.
- b) Properly secure blade in suitable vice.
- c) Use file to sharpen blade edge using similar method to sharpening rotary lawnmower blade. FIGURE 25



FIGURE 25

ELECTRIC MOTOR SERVICE

The motor is designed for long service life with minimal maintenance and is equipped with higher capacity ball bearings/seals intended for dust-filled atmospheres that should not require lubrication for many years.

The motor features auto-stop carbon brushes. When brushes wear to a predetermined level, the motor will automatically shut off to prevent damage to the armature. Replacement brushes can only be installed by an authorized Metabo Service Center using Metabo replacement parts.

Metabo Service Contact Information:

Phone: 800.638.2264

Fax: 800.638.2261

Email: info@metabousa.com

You can also contact the General Equipment Company Customer Service Department for additional assistance.

Phone: 800.533.0524

Fax: 877.344.4375

Email: general@generalequip.com

13 TROUBLESHOOTING

NOTE: If troubleshooting information does not correct situation, all maintenance/repairs not described in this operator manual must be done by a dedicated service center following a specific service/repair manual.

MOTOR WILL NOT START OR LOOSES POWER

Possible Cause	Correction
ON/OFF switch located on operator handle in OFF position.	Turn to ON position.
ON/OFF switch located on power head in OFF position.	Turn to ON position.
High operating temperatures. Motor thermal protection activated.	Disconnect machine from power source. Allow to cool. Determine power head housing air vents are clean of foreign material accumulations. Clean as necessary using appropriate solvent.
Integral motor GFI tripped.	Inspect all cords for damage and proper connection configuration. Consult qualified electrician for potential ground fault in circuit.
Motor brushes reached predetermined wear point.	Contact Metabo Service Center for replacement service.
Operator handle cord plug to power head not connected.	Inspect for damage and proper connection configuration. Connect cord to power head cord.
No power received from power source.	Consult qualified electrician for proper voltage and ampere output.
Improper extension cord connection (if applicable).	Determine all connections produce a closed circuit. Reduce length and/or increase cord cross-sectional size.
Motor loses power.	Check power source for correct voltage and amperage.

ACCELERATED EXCITER FLYWHEEL BEARING WEAR AND/OR FAILURE

Possible Cause	Correction
Misaligned and/or improperly tensioned transmission mount and exciter plate.	Check elastomeric rubber mount fastener tension. Check bearing alignment relative to transmission shaft.
Bent transmission shaft.	Replace shaft.

UNEVEN ACCESSORY BLADE WEAR

Possible Cause	Correction
Incorrect blade installation.	See INSTALLING & REMOVING ACCESSORY BLADES this manual.
Damaged exciter plate.	Replace plate.
Damaged elastomeric rubber mount(s).	Replace mounts.
Bent blade.	Replace blade.

EXCESSIVE JUMPING ON WORK SURFACE

Possible Cause	Correction
Incorrect blade installation.	See INSTALLING & REMOVING ACCESSORY BLADES this manual.

UNEVEN FLOOR COVERING MATERIAL REMOVAL

Possible Cause	Correction
Blade beveled edge orientation incorrect for type work surface.	Change orientation. Refer to ACCESSORY BLADE TYPES & APPLICATIONS section this manual.
Bent accessory blade.	Replace blade.
Excessive material build-up on caster wheel face surface.	Remove material. Readjust wheel scraper to wheel gap setting: .03/.06 inch (0.8/1.5 mm).
Excessive axle shoulder-type cap screw wear.	Replace cap screw.

14 STORAGE

LONG TERM STORAGE



Procedure for long term storage of RIP-R-STRIPPER will protect it against effects of corrosion and damage. If RIP-R-STRIPPER is not to be operated for a period of 30 days or more, proceed to store as follows:

1. STOP RIP-R-STRIPPER per STOPPING RIP-R-STRIPPER in OPERATING INSTRUCTIONS section of this manual.
2. Remove accessory blade per INSTALLING & REMOVING ACCESSORY BLADES in MACHINE SET-UP section of this manual. Store to prevent damage or rust.

CAUTION

- DO NOT store RIP-R-STRIPPER accessory blade attached. This configuration can result in property damage and/or personal injury.

3. Clean RIP-R-STRIPPER per MAINTENANCE INSTRUCTIONS section of this manual.
4. Inspect all visible parts for wear, breakage or damage per MAINTENANCE INSTRUCTIONS section of this manual.
5. Apply a dry film lubricant to all exposed metal components, including accessory blade, to prevent rust formation.
6. Block bottom of main frame to prevent damage to exciter plate and elastomeric rubber mounts.
7. Store RIP-R-STRIPPER inside. If RIP-R-STRIPPER must be stored outside, protect it with a suitable covering.

15 END OF LIFECYCLE



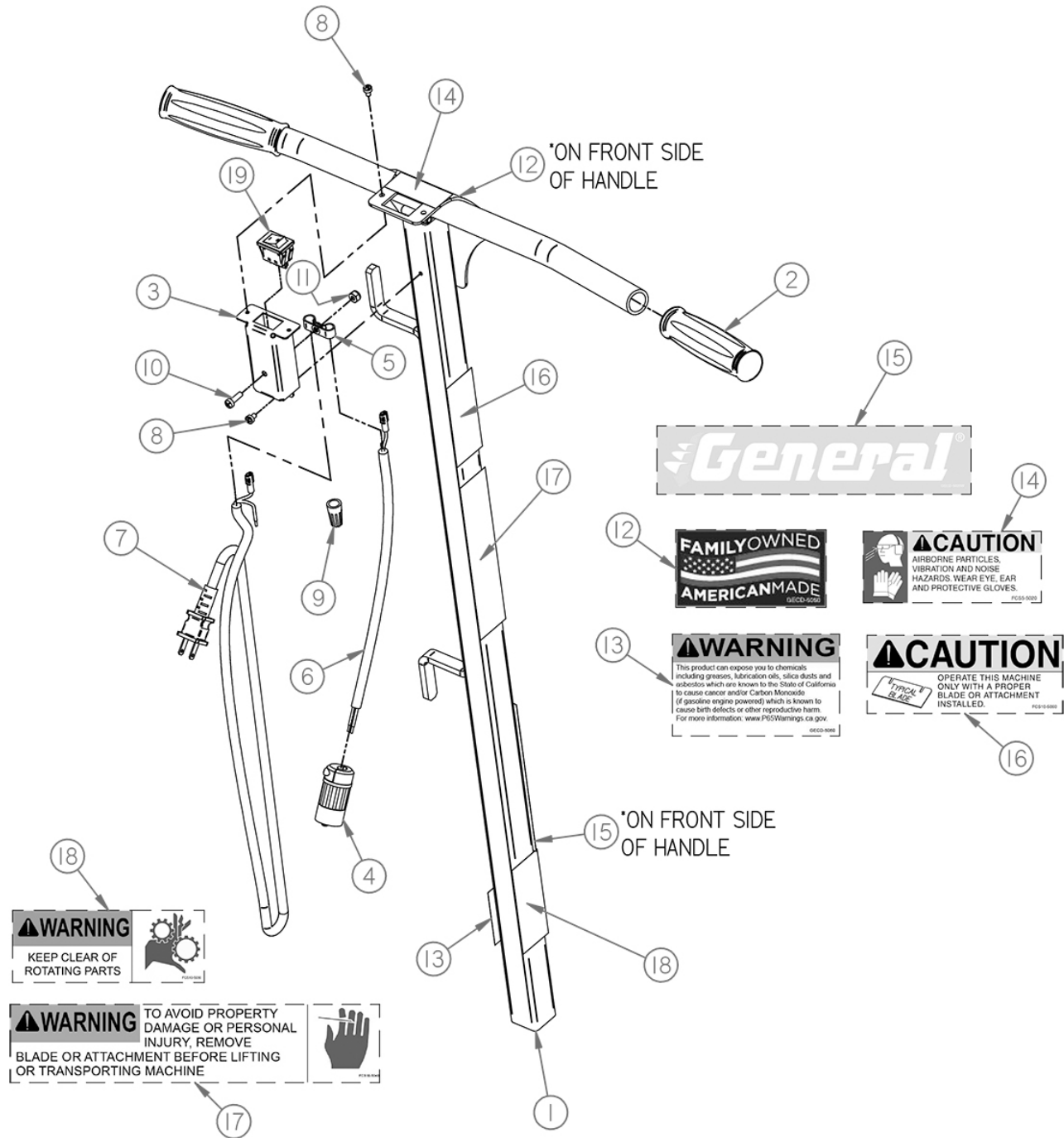
If the machine comes to the end of its lifecycle, destruction of the machine must be conducted according to international and local environmental regulations.

*THIS PAGE INTENTIONALLY
LEFT BLANK*

Replacement Parts Diagram FCS10GEN2 Floor Covering Scraper 115VAC, 60HZ Operation



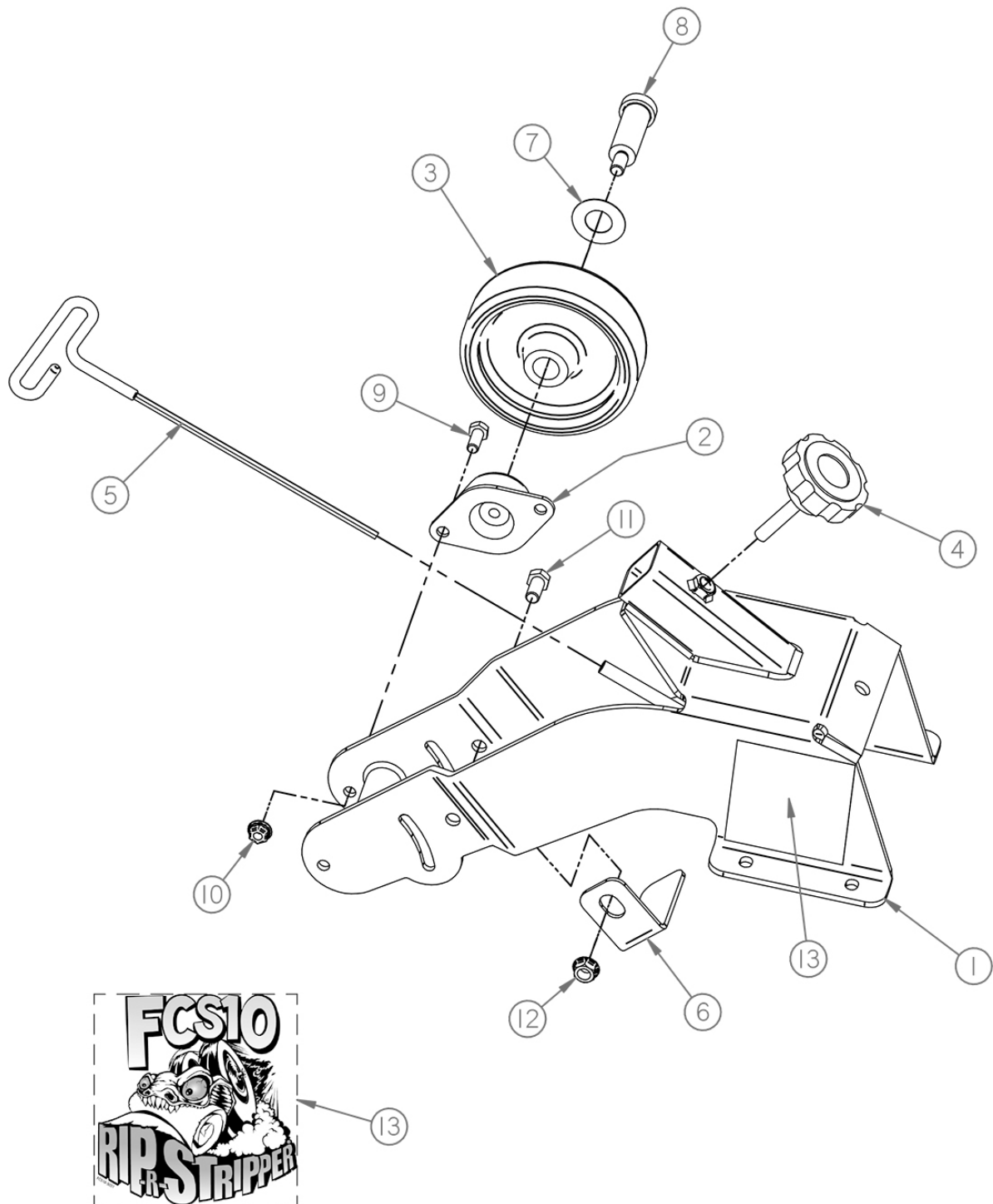
Replacement Parts Diagram Operator Handle Assembly FCS10GEN2 Floor Covering Scraper [Beginning with Serial Number 179211]



*Replacement Parts Diagram
 Operator Handle Assembly
 FCS10GEN2 Floor Covering Scraper
 [Beginning with Serial Number 179211]*

Reference Number	Part Number	Description	Quantity
1	SG7-0020	Weldment, Handle	1
2	FCS16-0290	Grip, Handle	2
3	SG7-0050	Housing, Switch	1
4	FCS10-0160	Recepticle, Cord, Female	1
5	FCS10-0170	Clamp, Wire	2
6	FCS10-0240	Cable, Switch To Plug	1
7	FCS10-0230	Cable, Plug To Switch	1
8	79020200	PHMS, Self Tap, #8-32 X 1/4	3
9	WIRENUTY	Nut, Wire	1
10	37030500	PHMS, #10-24 X 5/8, ZY	1
11	53030000	Nut, Nylok, #10-24, ZY	1
12	GECD-5050	Decal, Family Owned, American	1
13	GECD-5060	Decal, Warning, Prop 65	1
14	FCS5-5020	Decal, Caution	1
15	GECD-5020W	Decal, General, 1.38 X 7.00	1
16	FCS10-5060	Decal, Use Blade	1
17	FCS10-5040	Decal, Warning, Blade Removal	1
18	FCS10-5030	Decal, Warning, Clear Rotating	1
19	SG7-0060	Power, Switch	1

*Replacement Parts Diagram
Main Frame Assembly
FCS10GEN2 Floor Covering Scraper
[Beginning with Serial Number 179211]*



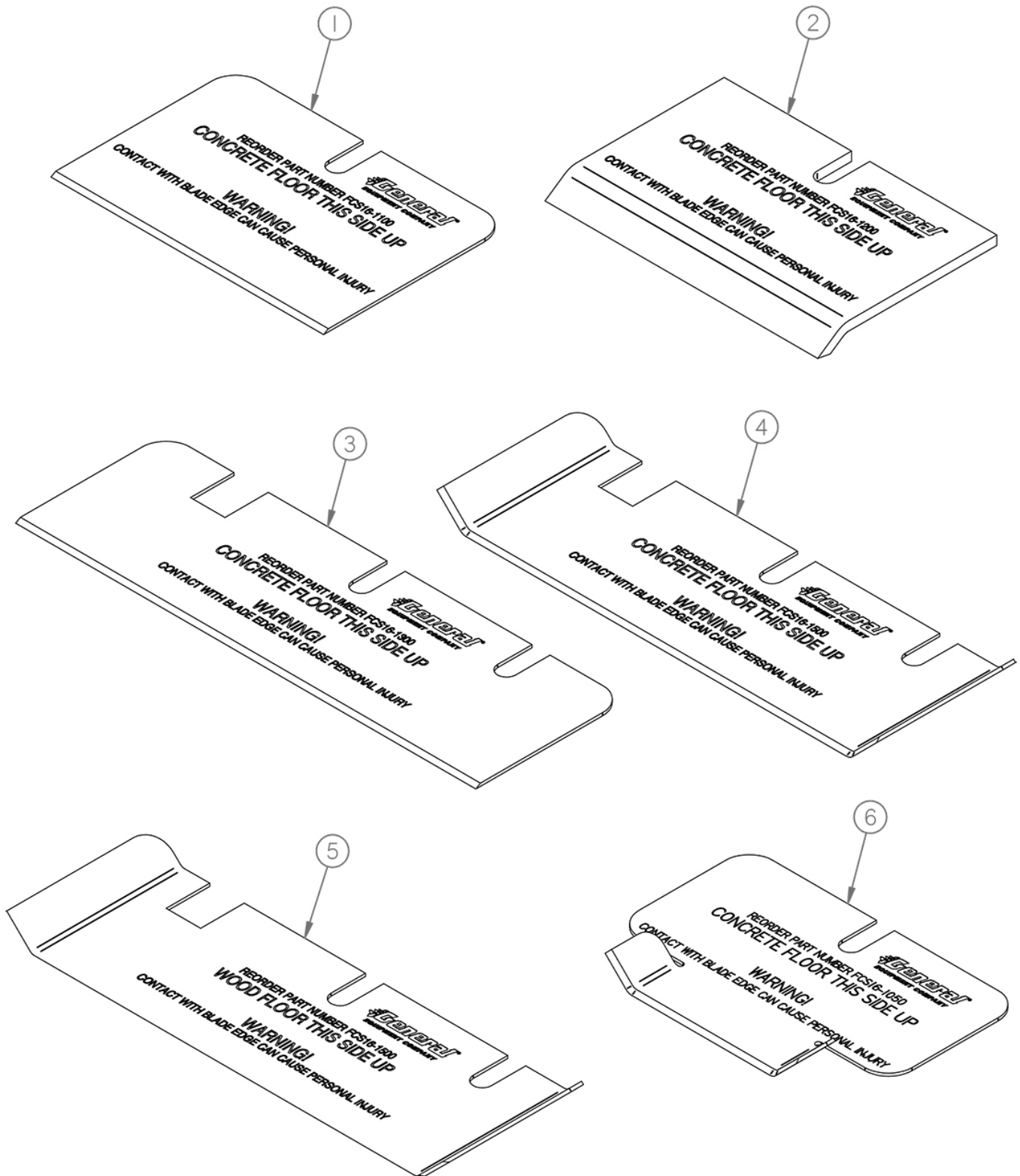
*Replacement Parts Diagram
 Main Frame Assembly
 FCS10GEN2 Floor Covering Scraper
 [Beginning with Serial Number 179211]*

Reference Number	Part Number	Description	Quantity
1	FCS10-0051	Frame, Main	1
2	FCS10-0110	Mount, Rubber, Axle	2
3	FCS10-0190	Wheel, 5D	2
4	FCS16-0150	Knob, Adjustment	1
5	FCS16-0260	Wrench, Hex, T-Handle	1
6	SG12-0371	Scraper, Wheel	2
7	200682	Washer, Plastic	2
8	FCS10-0210	Bolt, Shoulder, Special	2
9	15050600	HHCS, 5/16-18 X 3/4, ZY	4
10	39050000	Nut, Whizlock, 5/16-18, ZY	4
11	15060600	HHCS, 3/8-16 X 3/4, ZY	2
12	86060000	Nut, Hex, Flange, 3/8-16, ZY	2
13	FCS10-5051	Decal, Rip-R-Stripper	2

*Replacement Parts Diagram
 Orbital Plate Assembly
 FCS10GEN2 Floor Covering Scraper
 [Beginning with Serial Number 179211]*

Reference Number	Part Number	Description	Quantity
1	FCS10-0201	Grinder, Metabo	1
2	FCS10-0150	Plug, Cord, Male	1
3	FCS10-0020	Plate, Top	1
4	FCS16-0311-010	Mount, Rubber	4
5	FCS10-0071	Flywheel	1
6	FCS10-0010	Assembly, Plate, Bottom	1
7	FCS10-0140	Plug, Welch	1
8	FCS10-0060	Clamp, Blade	1
9	FCS10-0250	Bolt, Head, Sq, 5/16-18 X 1 ZY	4
10	16050000	Washer, Lock, 5/16, ZY	6
11	18050000	Nut, Hex, 5/16-18, ZY	4
12	60053510	SHCS, M5-0.8 X 35, PF	4
13	86060000	Nut, Hex, Flange, 3/8-16, ZY	8
14	6206-2RS	Bearing, Ball	1
15	5160-118	Ring, Snap	1
16	60050300	SHCS, 5/16-18 X 3/8, ZY	2
17	55050600	BHSCS, 5/16-18 X 3/4, ZY	2
18	SG24-5072	Decal, Assistance	1
19	FCS16-5021	Decal, Warning, Blade	1
20	FCS18-5060	Decal, Damage, Machine	1

Replacement Cutting Blades FCS10GEN2 Floor Covering Scraper



Replacement Cutting Blades FCS10GEN2 Floor Covering Scraper

Reference Number	Part Number	Description	Quantity
1	FCS16-1100PAK3	Blade, Straight, 6L General Purpose Removal Projects On Both CONCRETE And WOOD Surfaces	1
2	FCS16-1200PAK2	Blade, Removal, Mastic, 6L Mastic And Thin Film Coverings Removal On CONCRETE Surfaces ONLY	1
3	FCS16-1300PAK3	Blade, Straight, 10L General Purpose Removal Projects On Both CONCRETE And WOOD Surfaces	1
4	FCS16-1500PAK2	Blade, Scoring, Cement, 8L Glued Carpets And Sheet Type Linoleum, Rubber, PVC, Etc. Products On CONCRETE Surfaces ONLY	1
5	FCS16-1600PAK2	Blade, Scoring, Wood, 8L Glued Carpets And Sheet Type Linoleum, Rubber, PVC, Etc. Products On WOOD Surfaces ONLY	1
6	FCS16-1050PAK2	Blade, Scoring, Cement, 3L Glued Carpets And Sheet Type Linoleum, Rubber, PVC, Etc. Products On CONCRETE Surfaces ONLY	1