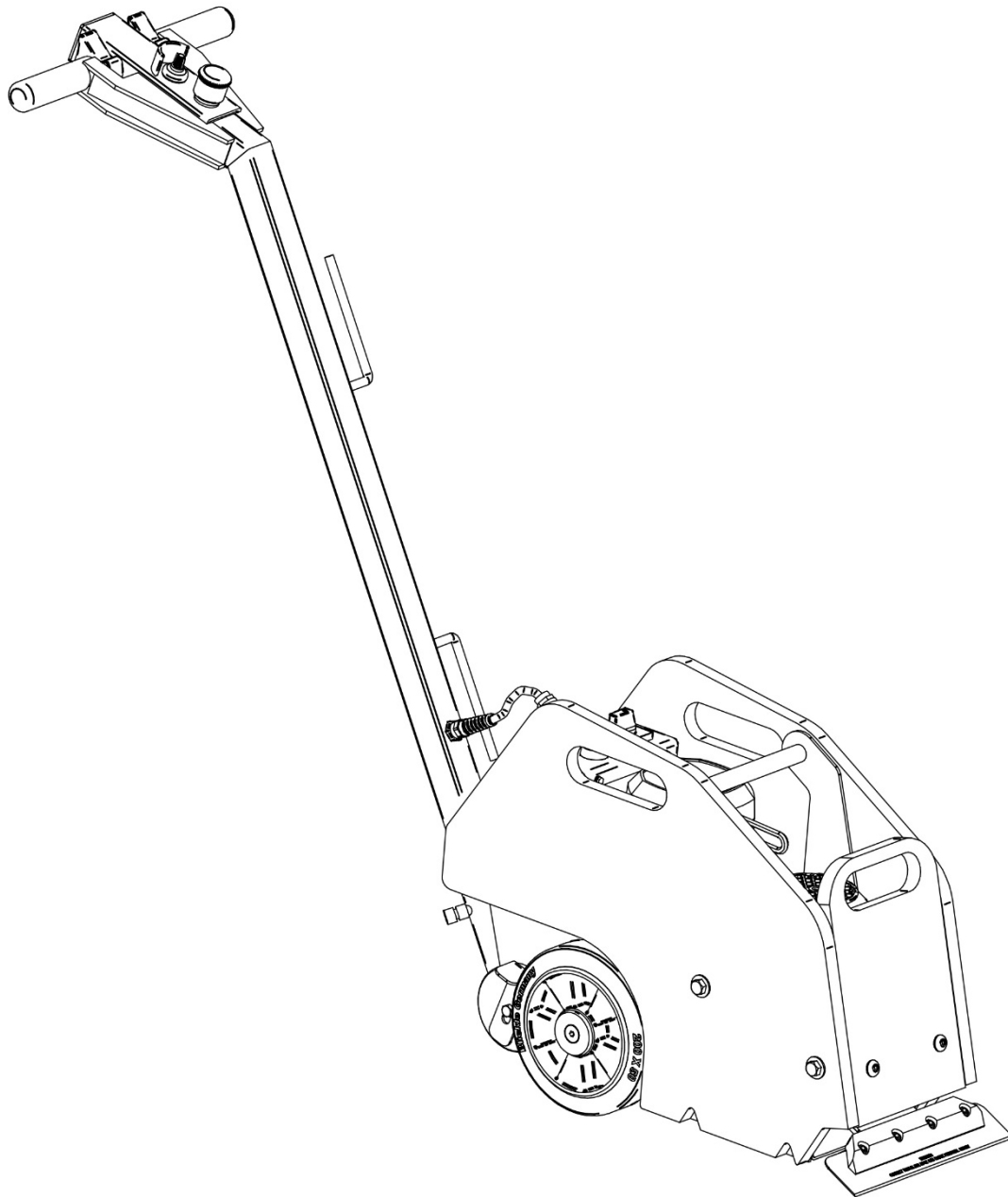
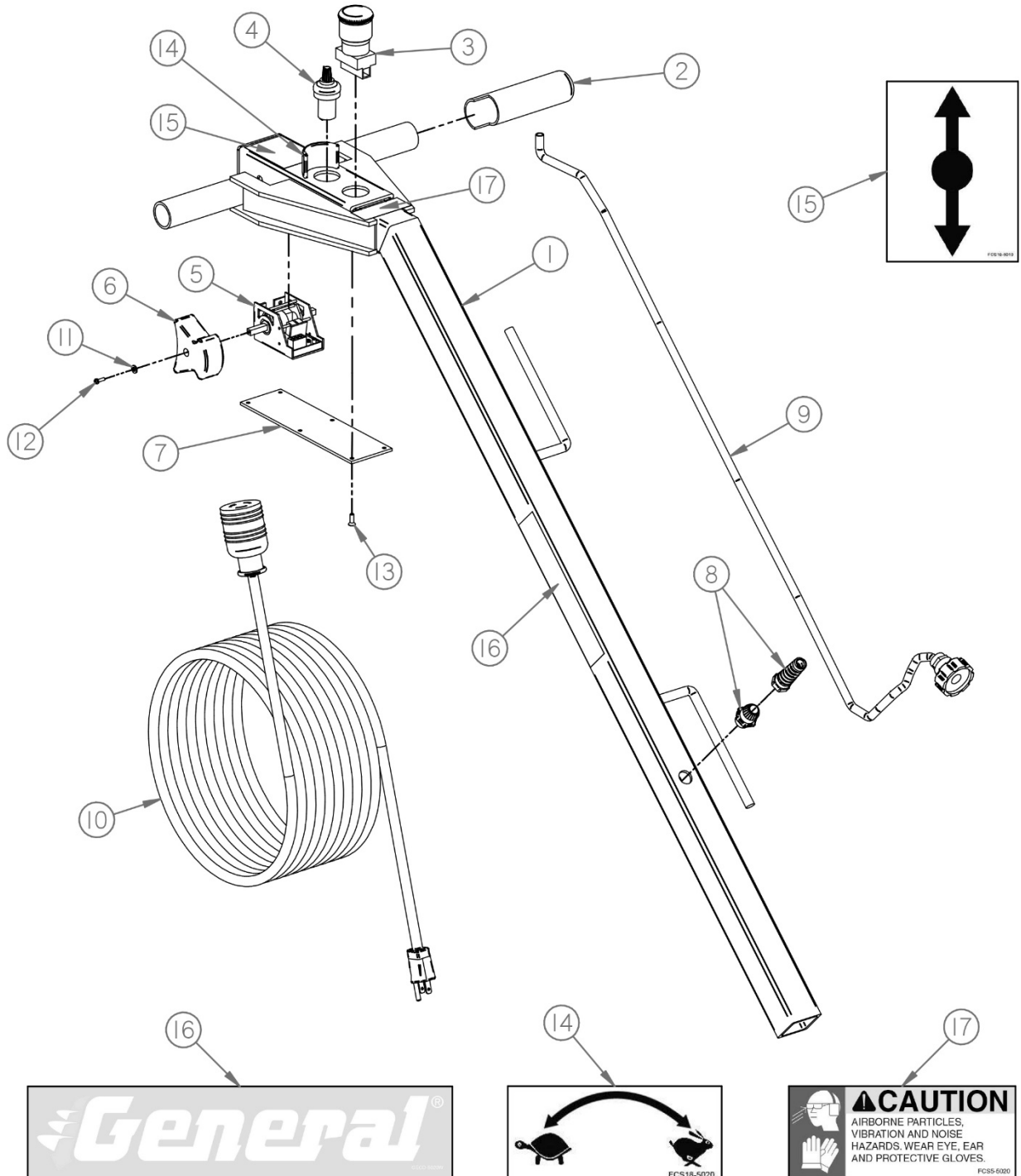


Replacement Parts Diagram
FCS18 Floor Covering Scraper
115VAC, 60HZ Operation



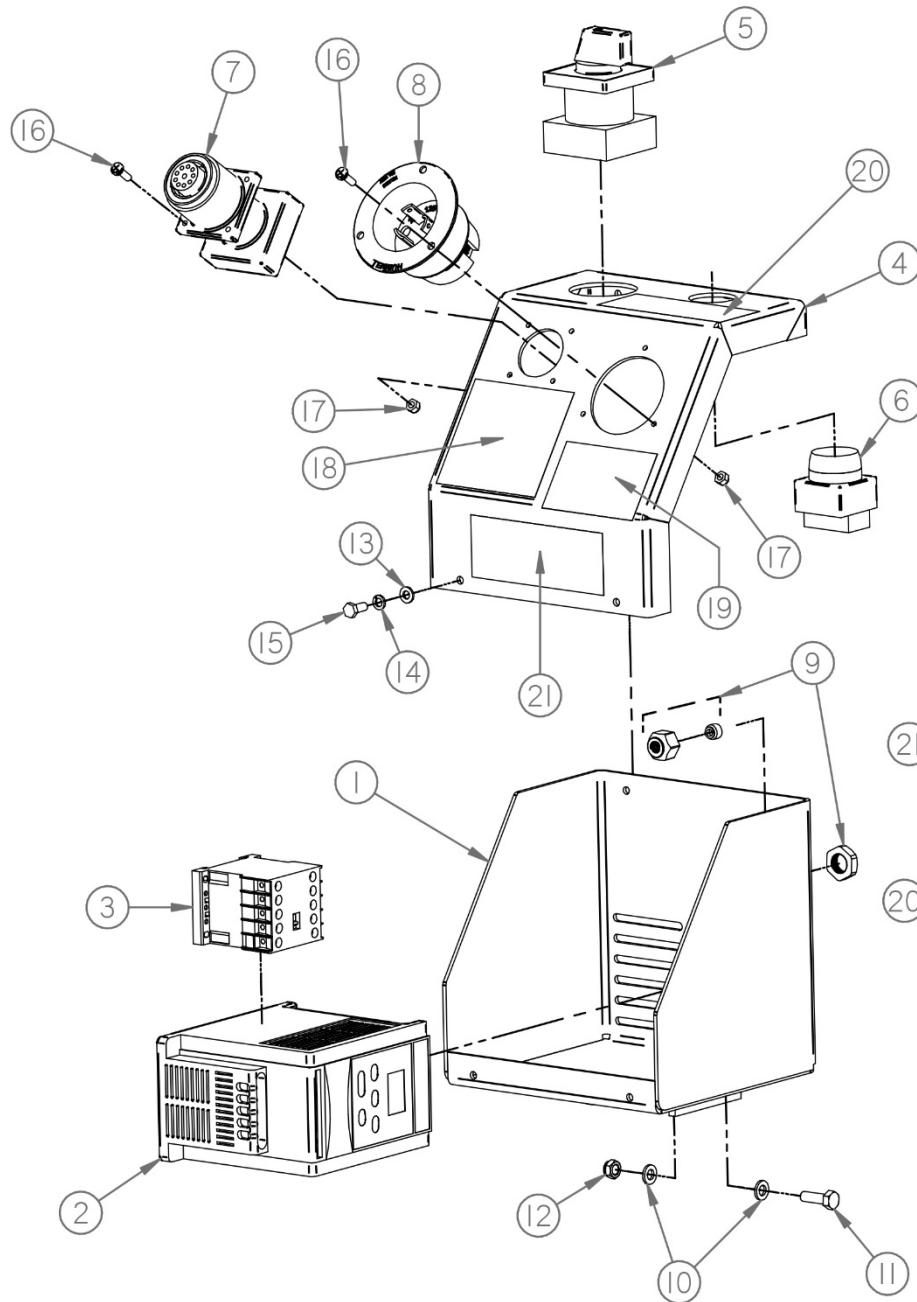
Replacement Parts Diagram Operator Handle Assembly FCS18 Floor Covering Scraper [Beginning with Serial Number 166062]



*Replacement Parts Diagram
 Operator Handle Assembly
 FCS18 Floor Covering Scraper
 [Beginning with Serial Number 166062]*

Reference Number	Part Number	Description	Quantity
1	FCS18-0340	Weldment, Handle, Operator	1
2	FCS18-0350	Grip, Handle	2
3	FCS18-0360	Switch, Stop, Emergency	1
4	FCS18-0370	Switch, Control, Speed	1
5	FCS18-0400	Switch, Control, Direction	1
6	FCS18-0390	Knob, Control, Direction	2
7	FCS18-0380	Cover, Switch, Handle	1
8	FCS18-0410	Relief, Strain	1
9	FCS18-0420	Assembly, Plug, Handle	1
10	FCS18-1000	Cord, Extension, 600L	1
11	17030010	Washer, Flat, M3, Z	2
12	37031010	PHMS, M3-.50 X 10, Z	2
13	27041010	FHSCS, M4-.70 X 10, Z	6
14	FCS18-5020	Decal, Control, Speed	1
15	FCS18-5010	Decal, Control, Direction	1
16	GECD-5020W	Decal, General, 1.38 X 7.00	2
17	FCS5-5020	Decal, Caution	1
	FCS18-0340A	Assembly, Handle, Operator, (Includes Ref. 1 Thru 9 & 11 Thru 17)	

Replacement Parts Diagram Electrical Control Box FCS18 Floor Covering Scraper [Beginning with Serial Number 166062]



STARTING INSTRUCTIONS

- 1) Depress circular button to energize inverter system.
- 2) Rotate switch to start exciter plate motor.
- 3) Depress green handle knobs for forward/reverse direction.

STOPPING INSTRUCTIONS

- 1) Release green handle knobs to neutral position.
- 2) Rotate switch to stop exciter plate motor.
- 3) Depress red stop switch.
- 4) Pull red stop switch to up position.

FCS18-5030

WARNING

KEEP CLEAR OF ROTATING PARTS

FCS18-5028

CAUTION

OPERATE THIS MACHINE ONLY WITH A PROPER BLADE OR ATTACHMENT INSTALLED.

FCS18-5089

WARNING

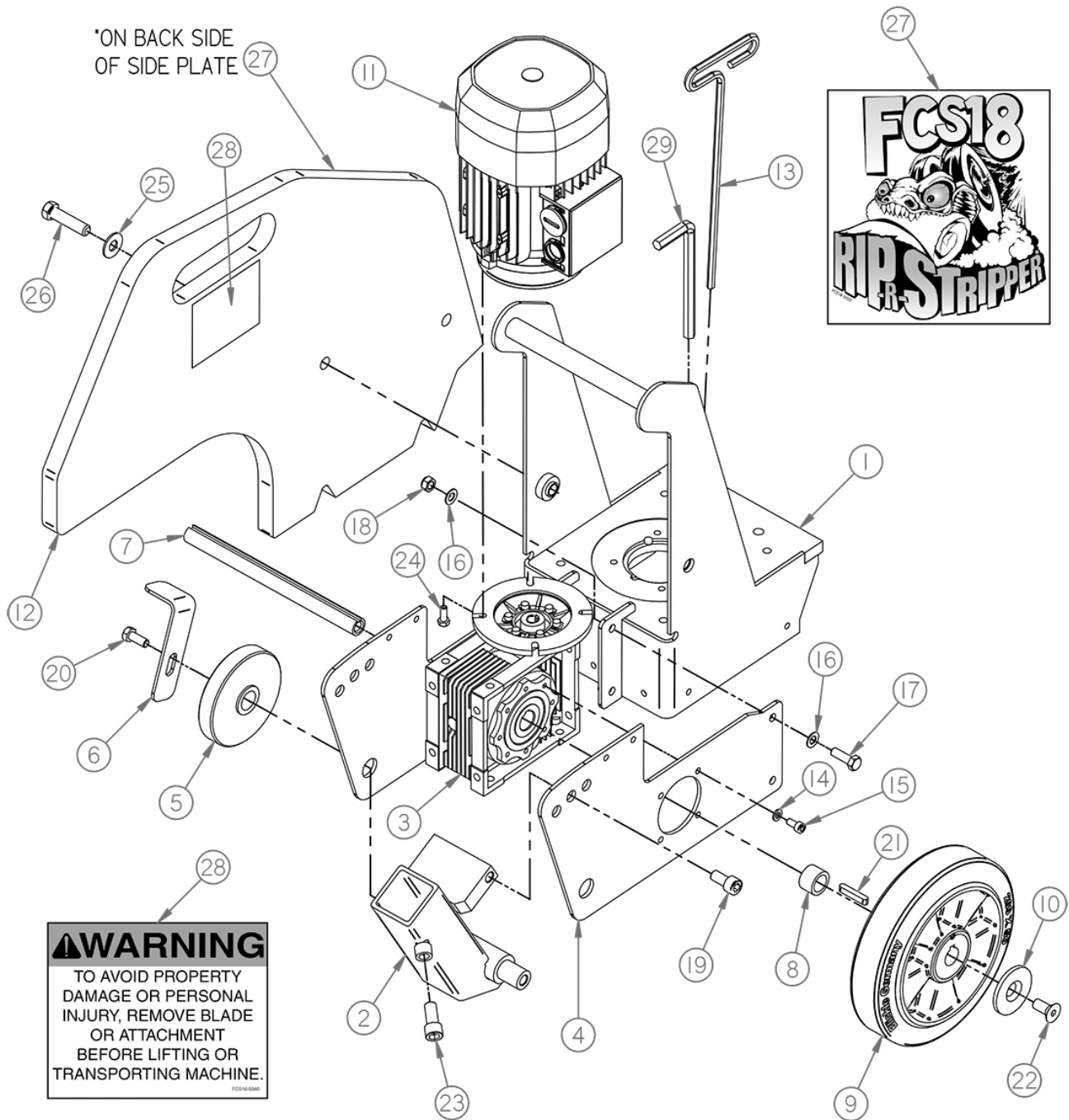
CONTACT WITH BLADE EDGE CAN CAUSE PERSONAL INJURY

FCS18-5027

*Replacement Parts Diagram
 Electrical Control Box
 FCS18 Floor Covering Scraper
 [Beginning with Serial Number 166062]*

Reference Number	Part Number	Description	Quantity
1	FCS18-0130	Enclosure, Electrical	1
2	FCS18-0150	Complete, Drive, Inverter	1
3	FCS18-0200	Contactora, Switch	1
4	FCS18-0140	Cover, Enclosure, Electrical	1
5	FCS18-0160	Complete, Switch, Motor, Blade	1
6	FCS18-0170	Complete, Switch, Button, Push	1
7	FCS18-0180	Connector, Female, 9 Pole	1
8	FCS18-0190	Receptacle, Female, 120V, 20AMP	1
9	FCS18-0210	Relief, Strain	2
10	17060010	Washer, Flat, M6, Z	8
11	15062010	HHCS, M6-1.00 X 20, Z	4
12	53060010	Nut, Nylok, M6-1.00, Z	4
13	17050010	Washer, Flat, M5, Z	4
14	16050010	Washer, Lock, M5, Z	4
15	15051210	HHCS, M5-.80 X 12, Z	4
16	37041210	PHMS, M4-.70 X 12, Z	7
17	53040010	Nut, Nylok, M4-.70, Z	7
18	FCS18-5030	Decal, Sequence, Starting	1
19	FCS16-5021	Decal, Warning, Blade	1
20	FCS10-5060	Decal, Use Blade	1
21	FCS10-5030	Decal, Warning, Clear Rotating	1

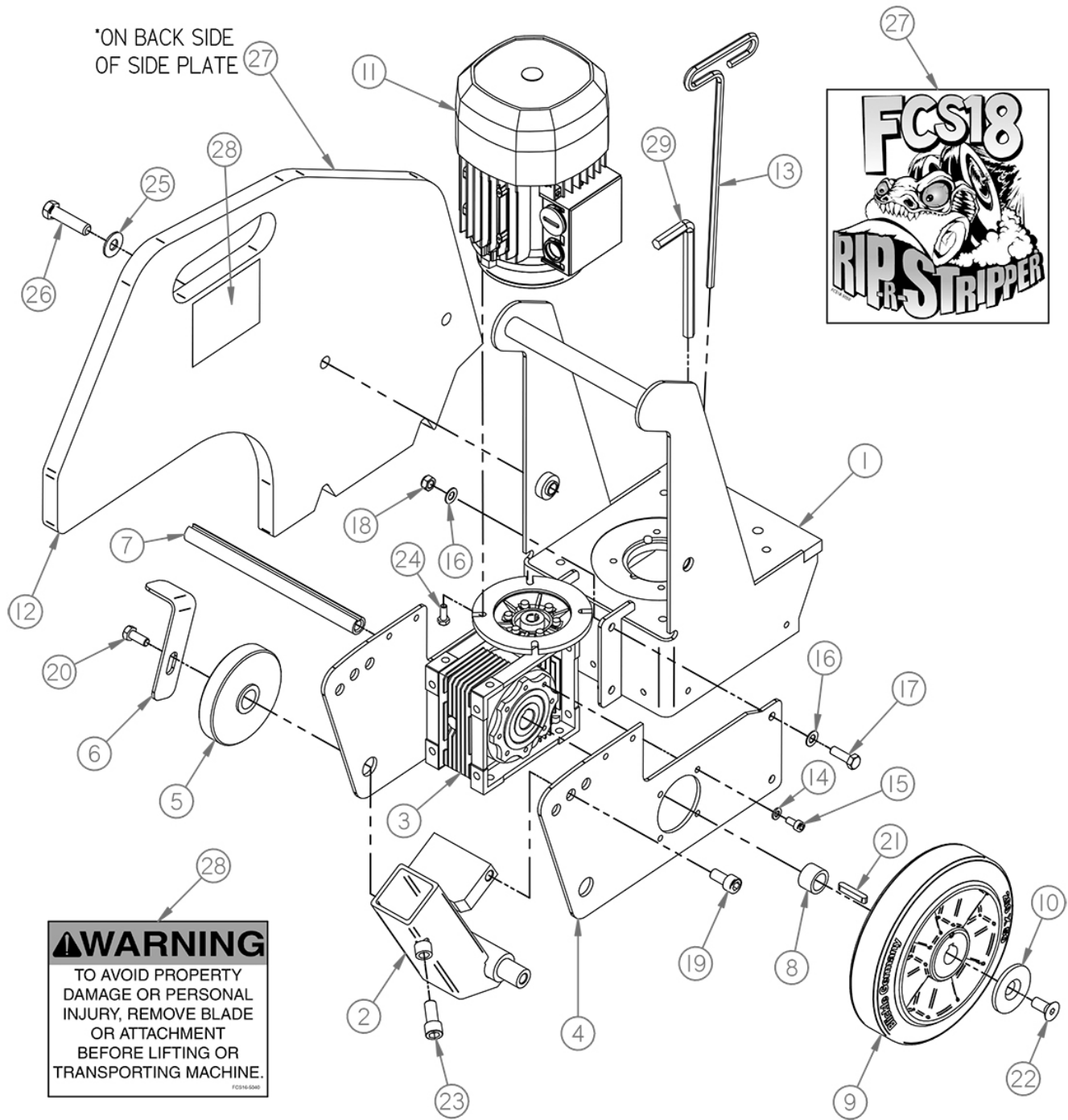
*Replacement Parts Diagram
 Drive Motor Assembly
 FCS18 Floor Covering Scraper
 [Used With Serial Number 166062 Thru 179091]*



*Replacement Parts Diagram
 Drive Motor Assembly
 FCS18 Floor Covering Scraper
 [Used With Serial Number 166062 Thru 179091]*

Reference Number	Part Number	Description	Quantity
1	FCS18-0040	Frame, Main	1
2	FCS18-0060	Weldment, Mount, Handle	1
3	FCS18-0070	Complete, Transmission	1
4	FCS18-0100	Plate, Mount, Handle, RH	1
5	FCS18-0320	Wheel, Transport	2
6	FCS18-0030	Scraper, Wheel	2
7	FCS18-0110	Shaft, Drive, Wheel	1
8	FCS18-0120	Spacer, Shaft, Drive	2
9	FCS18-0310	Wheel, Drive	2
10	FCS18-0430	Washer, Modified	2
11	FCS18-0040	Motor, Drive, Electric	1
12	FCS18-0010	Weight, Side	2
13	FCS18-0050	Wrench, Hex, T-Handle, 1/4	1
14	17060010	Washer, Flat, M6, Z	8
15	60061210	SHCS, M6-1.00 X 12, Z	8
16	17080011	Washer, Flat, M8, Z	4
17	15082510	HHCS, M8-1.25 X 25, Z	2
18	53080010	Nut, Nylok, M8-1.25, Z	2
19	60102010	SHCS, M10-1.50 X 20, Z	2
20	15082010	HHCS, M8-1.25 X 20, Z	2
21	63063510	Key, Square, M6 X 35	4
22	27101710	FHSCS, M10-1.50 X 17, Z	2
23	60070800	SHCS, 7/16-14 X 1, ZY	1
24	15061610	HHCS, M6-1.00 X 16, Z	4
25	17060000	Washer, Flat, 3/8, ZY	4
26	15071401	HHCS, 7/16-20 X 1-3/4, ZY	4
27	FCS18-5050	Decal, RIP-R-STRIPPER	2
28	FCS16-5040	Decal, Warning, Blade Removal	1
29	FCS18-0440	Wrench, Hex, 3/8	1

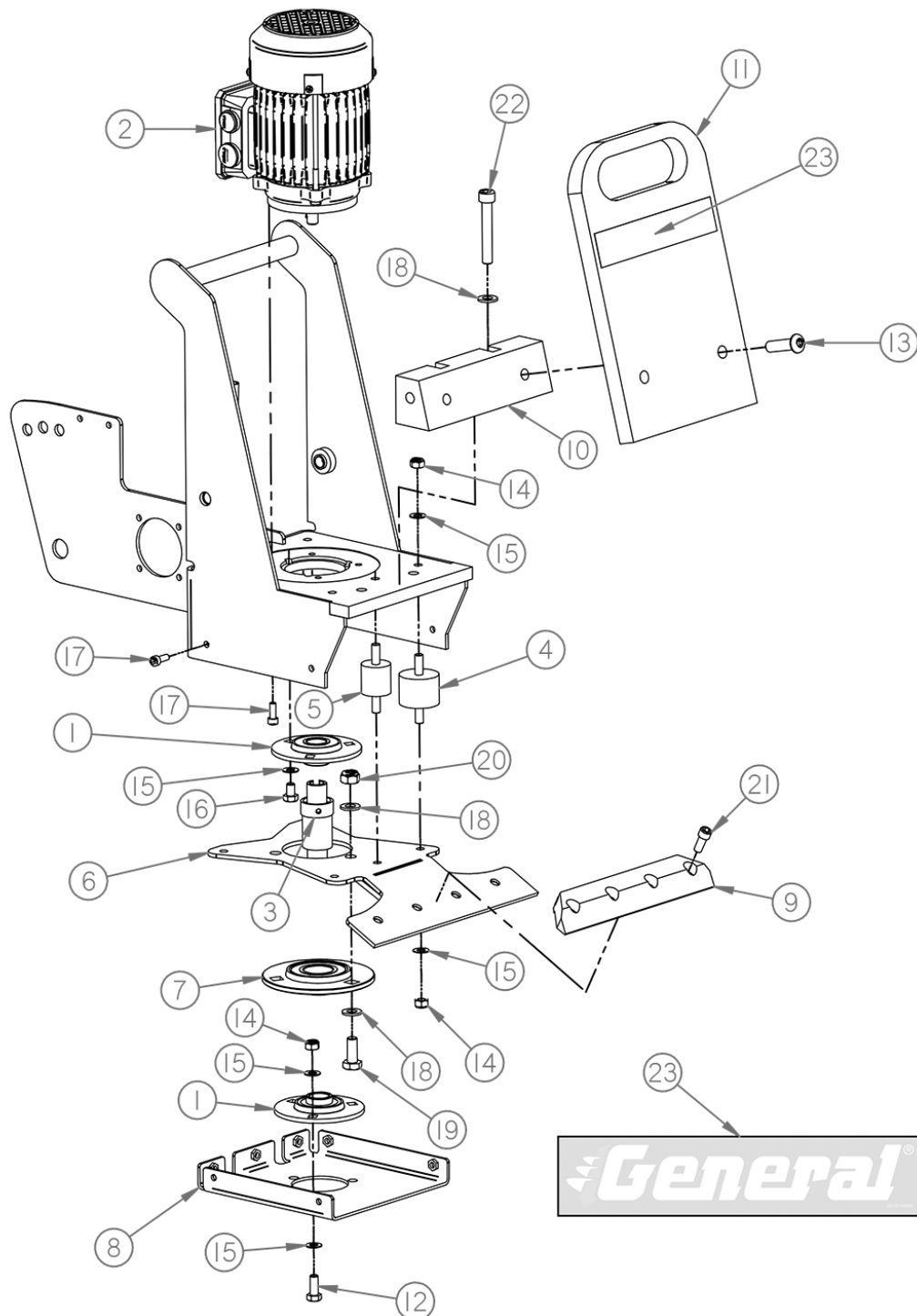
Replacement Parts Diagram Drive Motor Assembly FCS18 Floor Covering Scraper [Beginning with Serial Number 179092]



*Replacement Parts Diagram
 Drive Motor Assembly
 FCS18 Floor Covering Scraper
 [Beginning with Serial Number 179092]*

Reference Number	Part Number	Description	Quantity
1	FCS18-0040	Frame, Main	1
2	FCS18-0060	Weldment, Mount, Handle	1
3	FCS18-0070	Complete, Transmission	1
4	FCS18-0100	Plate, Mount, Handle, RH	1
5	FCS18-0320	Wheel, Transport	2
6	FCS18-0030	Scraper, Wheel	2
7	FCS18-0110	Shaft, Drive, Wheel	1
8	FCS18-0120	Spacer, Shaft, Drive	2
9	FCS18-0310	Wheel, Drive	2
10	FCS18-0430	Washer, Modified	2
11	FCS18-0040	Motor, Drive, Electric	1
12	FCS18-0010	Weight, Side	2
13	FCS18-0050	Wrench, Hex, T-Handle, 1/4	1
14	17060010	Washer, Flat, M6, Z	8
15	60061210	SHCS, M6-1.00 X 12, Z	8
16	17080011	Washer, Flat, M8, Z	4
17	15082510	HHCS, M8-1.25 X 25, Z	2
18	53080010	Nut, Nylok, M8-1.25, Z	2
19	60102010	SHCS, M10-1.50 X 20, Z	2
20	15082010	HHCS, M8-1.25 X 20, Z	2
21	63063510	Key, Square, M6 X 35	4
22	27101710	FHSCS, M10-1.50 X 17, Z	2
23	60070800	SHCS, 7/16-14 X 1, ZY	1
24	15061610	HHCS, M6-1.00 X 16, Z	4
25	17060000	Washer, Flat, 3/8, ZY	4
26	15071400	HHCS, 7/16-14 X 1-3/4, ZY	4
27	FCS18-5050	Decal, RIP-R-STRIPPER	2
28	FCS16-5040	Decal, Warning, Blade Removal	1
29	FCS18-0440	Wrench, Hex, 3/8	1

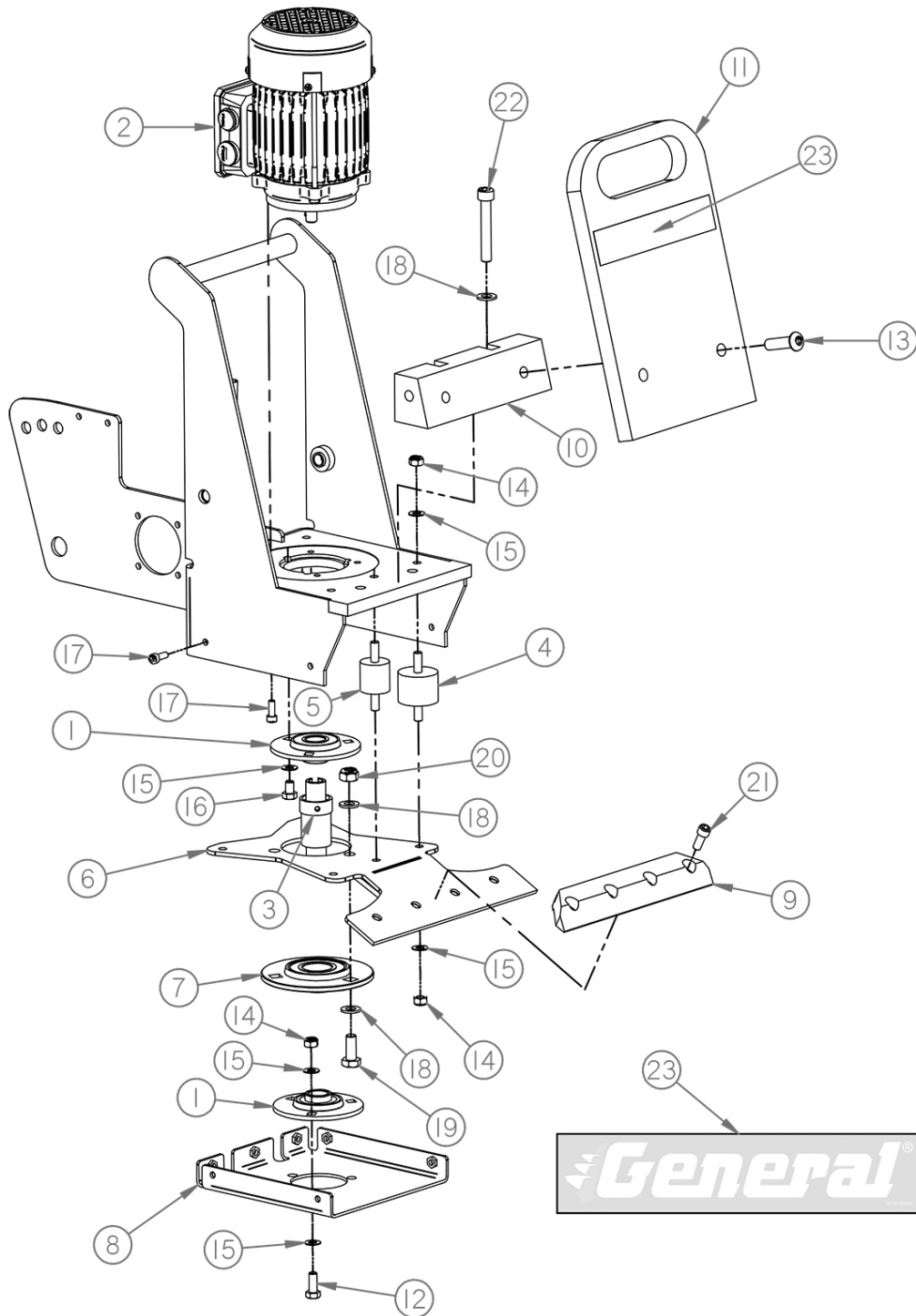
*Replacement Parts Diagram
Orbital Motor Assembly
FCS18 Floor Covering Scraper
[Used With Serial Number 166062 Thru 179091]*



*Replacement Parts Diagram
 Orbital Motor Assembly
 FCS18 Floor Covering Scraper
 [Used With Serial Number 166062 Thru 179091]*

Reference Number	Part Number	Description	Quantity
1	FCS18-0230	Bearing, Flange	2
2	FCS18-0220	Motor, Exciter, Electric	1
3	FCS18-0290	Hub, Offset	1
4	FCS18-0260	Mount, Rubber, Large	4
5	FCS18-0270	Mount, Rubber, Small	1
6	FCS18-0240	Plate, Orbital	1
7	FCS18-0250	Bearing, Flange	1
8	FCS18-0300	Plate, Bottom	1
9	FCS18-0280	Block, Clamp	1
10	FCS18-0330	Block, Mounting, Weight, Front	1
11	FCS18-0020	Weight, Front	1
12	15082010	HHCS, M8-1.25 X 20, Z	3
13	55071201	BHSCS, 7/16-20 X 1-1/2	2
14	53080010	Nut, Nylok, M8-1.25, Z	13
15	17080011	Washer, Flat, M8, Z	19
16	15081210	HHCS, M8-1.25 X 12, Z	3
17	60061610	SHCS, M6-1.00 X 16, Z	11
18	17100010	Washer, Flat, M10, Z	8
19	15102510	HHCS, M10-1.50 X 25, Z	3
20	53100010	Nut, Nylok, M10-1.50, Z	3
21	60050601	SHCS, 5/16-24 X 3/4, ZY	4
22	60106510	SHCS, M10-1.50 X 65, Z	2
23	GECD-5020W	Decal, General, 1.38 X 7.00	1

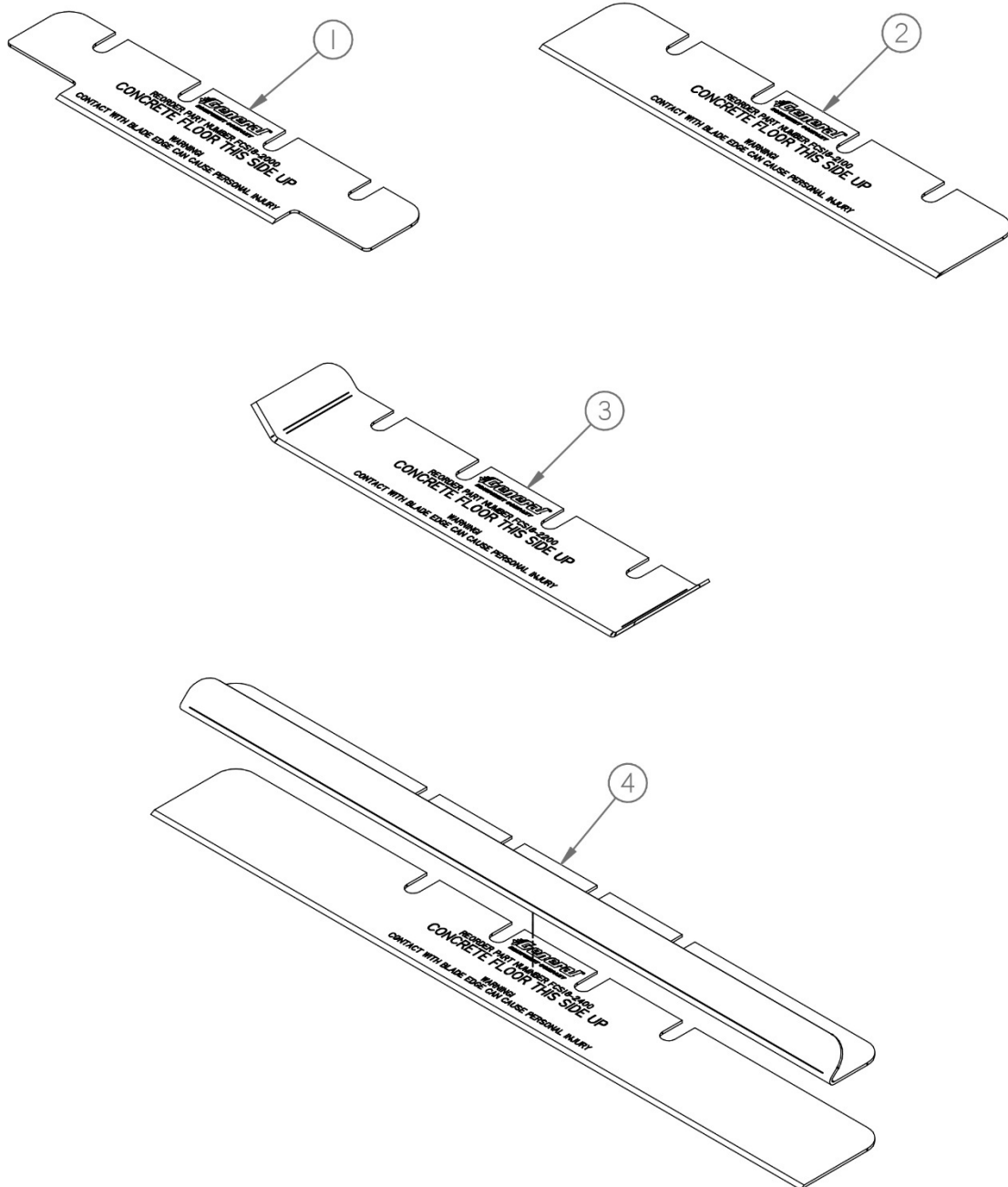
*Replacement Parts Diagram
Orbital Motor Assembly
FCS18 Floor Covering Scraper
[Beginning with Serial Number 179092]*



*Replacement Parts Diagram
 Orbital Motor Assembly
 FCS18 Floor Covering Scraper
 [Beginning with Serial Number 179092]*

Reference Number	Part Number	Description	Quantity
1	FCS18-0230	Bearing, Flange	2
2	FCS18-0220	Motor, Exciter, Electric	1
3	FCS18-0290	Hub, Offset	1
4	FCS18-0260	Mount, Rubber, Large	4
5	FCS18-0270	Mount, Rubber, Small	1
6	FCS18-0240	Plate, Orbital	1
7	FCS18-0250	Bearing, Flange	1
8	FCS18-0300	Plate, Bottom	1
9	FCS18-0280	Block, Clamp	1
10	FCS18-0330	Block, Mounting, Weight, Front	1
11	FCS18-0020	Weight, Front	1
12	15082010	HHCS, M8-1.25 X 20, Z	3
13	55071200	BHSCS, 7/16-14 X 1-1/2	2
14	53080010	Nut, Nylok, M8-1.25, Z	13
15	17080011	Washer, Flat, M8, Z	19
16	15081210	HHCS, M8-1.25 X 12, Z	3
17	60061610	SHCS, M6-1.00 X 16, Z	11
18	17100010	Washer, Flat, M10, Z	8
19	15102510	HHCS, M10-1.50 X 25, Z	3
20	53100010	Nut, Nylok, M10-1.50, Z	3
21	60050601	SHCS, 5/16-24 X 3/4, ZY	4
22	60106510	SHCS, M10-1.50 X 65, Z	2
23	GECD-5020W	Decal, General, 1.38 X 7.00	1

Replacement Cutting Blades FCS18 Floor Covering Scraper



Replacement Cutting Blades FCS18 Floor Covering Scraper

Reference Number	Part Number	Description	Quantity
1	FCS18-2000	Blade, Straight, 6L General Purpose Removal Projects On CONCRETE Surfaces ONLY	1
2	FCS18-2100	Blade, Straight, 11L General Purpose Removal Projects On CONCRETE Surfaces ONLY	1
3	FCS18-2200	Blade, Scoring Cement, 9L Glued Carpets And Sheet Type Linoleum, Rubber, CONCRETE Surfaces ONLY	1
4	FCS18-2400	Blade, Scoring, 18L General Purpose Removal Projects On CONCRETE Surfaces ONLY	1