

P M

PARTS MANUAL

**Tecumseh TC300-3136
2 Cycle Engine Parts Breakdown
for use with General 210 Hole Digger**

**Form: PM9109901
Version 1.0**

Do not discard this manual. Read and comprehend its contents.
Keep it readily available for reference when performing any
service related function. When ordering replacement parts, please
supply the following information: model number, serial number
and part number. For customer service assistance, telephone
800.533.0524 or +507.451.5510. Our Customer Service Department
telefax number is 877.344.4375 (DIGGER 5) or +507.451.5511.
There is no charge for customer service activities.

Website: www.generalequip.com
Email: general@generalequip.com

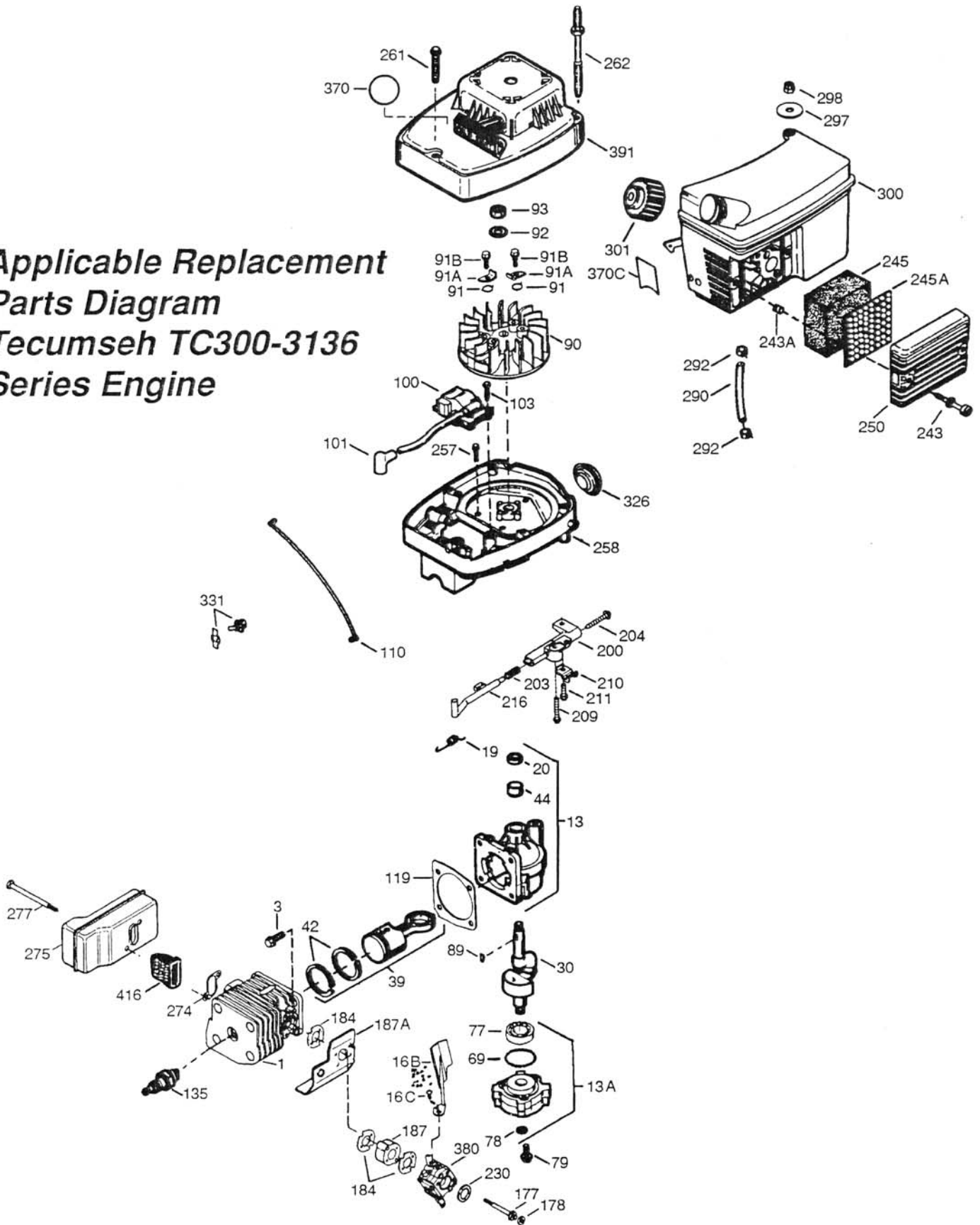
Copyright 1999, General Equipment Company



General[®]
EQUIPMENT COMPANY

620 Alexander Dr. S.W. • PO Box 334
Owatonna, Minnesota 55060
800.533.0524 • +507.451.5510
Fax +507.451.5511
Toll-Free Fax 877.344.4375 (Digger 5)
Web: www.generalequip.com
E-mail: general@generalequip.com
Can you really afford anything less?

**Applicable Replacement
Parts Diagram
Tecumseh TC300-3136
Series Engine**



Applicable Replacement Parts Diagram

Tecumseh TC300-3136 Series Engine

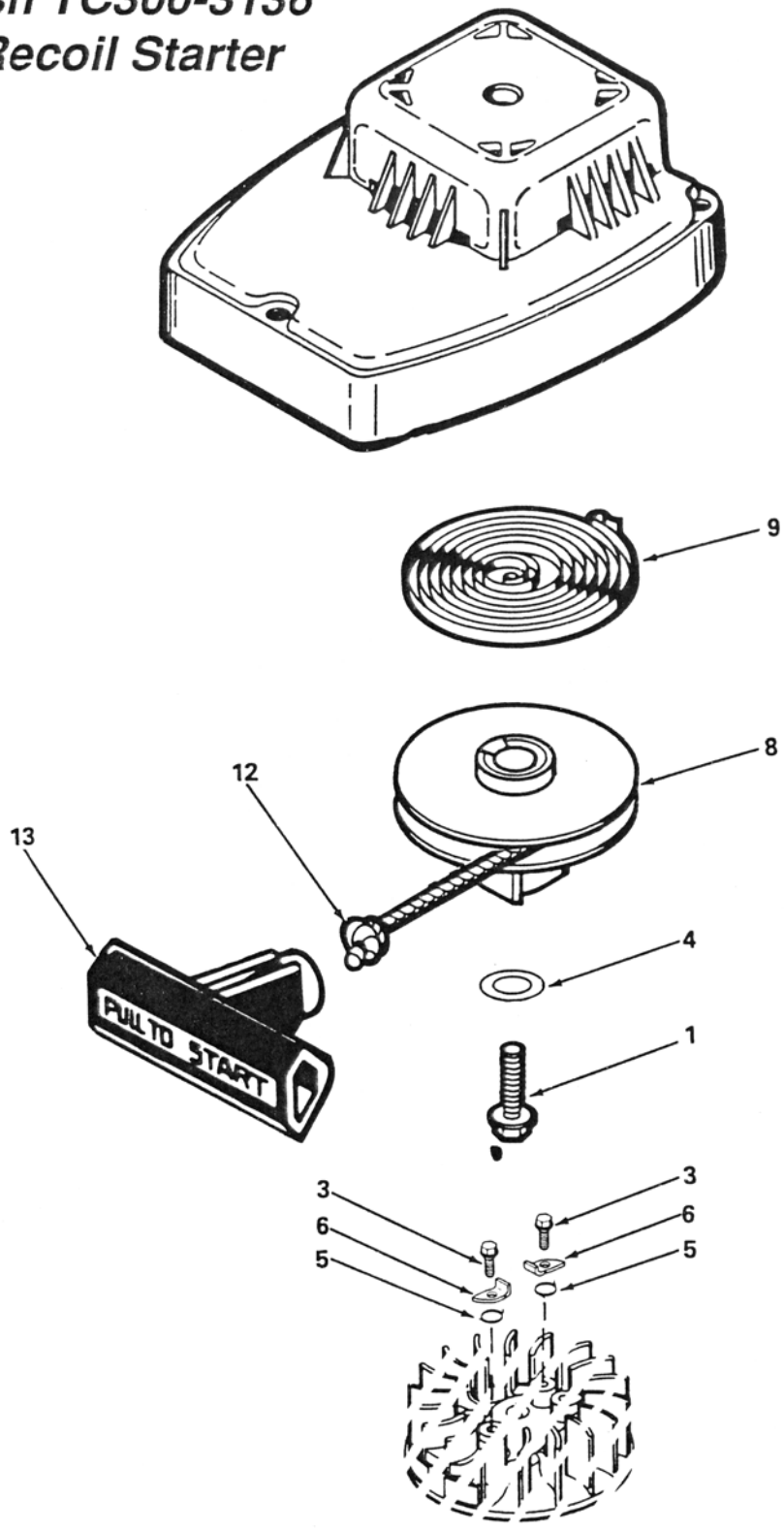
for use with

General 210 Hole Digger

Reference Number	Part Number	Description	Required Quantity
0	0	ENGINE HIGH SPEED (NO LOAD) RANGE: 5800-6200 RPM	N/A
0	0	ENGINE IDLE SPEED RANGE: 1900-3200 RPM	N/A
1	250303	Cylinder (includes reference 119, 187 and 187A)	1
3	650888	Screw, Torx® T-30, 1/4-20 UNC x 43/64" Long	4
13	270288A	Crankcase (includes reference 20, 44 and 69)	1
13A	270298	Crankcase Cover	1
16B	490324	Air Vane	1
16C	650986	Screw, Torx® T-8, #3-48 UNC x 7/32" Long	1
19	570717	Governor Spring	1
20	510328	Oil Seal	1
30	290664	Crankshaft	1
39	310285A	Piston and Rod (includes reference 42)	1
42	310275	Ring Set	1
44	530163	Cartridge Bearing	1
69	510348	O Ring	1
77	530110	Ball Bearing	1
78	510319	Oil Seal	1
79	650844	Screw, 1/4-20 UNC x 3/4" Long	4
89	611054	Flywheel Key	1
90	611180	Flywheel	1
91	590691	Pawl Spring	2
91A	590692	Starter Pawl	2
91B	650985	Pawl Screw, #12-24 UNC x 11/64" Long	2
92	650848	Belleville Washer	1
93	650849	Flywheel Nut	1
100	611056	Solid State Ignition (includes reference 101)	1
101	610118	Spark Plug Cover	1
103	651007	Screw, Torx® T-15, #10-24 UNC x 15/16" Long	3
110	611135	Ground Wire	1
119	510349	Cylinder Head Gasket	1
135	611049	Resistor Spark Plug (CJ8Y)	1
177	650858	Carburetor Mounting Stud	2
178	650580	Lock Nut, #10-24 UNC	2
184	510327B	Carburetor Gasket	2
187	570648A	Spacer	1
187A	570698A	Air Baffel (includes reference 184 and 187)	1
200	570700	Speed Control body	1
203	570701	Compression Spring	1
204	651042	Screw, Torx® T-15, #8-32 UNF x 1" Long	1
209	651042	Screw, Torx® T-15, #8-32 UNF x 1" Long	1
210	27793	Conduit Clip	1
211	651047	Screw, Torx® T-15, #10-24 UNC x 21/32" Long	1
216	570712	RPM Adjusting Lever	1
230	570649A	O Ring	1

Reference Number	Part Number	Description	Required Quantity
243	650955	Screw, #10-32 UNF x 29/32" Long	2
243A	650964	Thread Insert	2
245	450252	Air Cleaner Filter	1
245A	450255	Air Cleaner Filter	1
250	450253	Air Cleaner Filter	1
257	650867	Screw, #10-24 UNC x 1/2" Long	1
258	350435	Blower Housing Base	3
261	650850	Screw, #8-32 UNF x 1-9/16" Long	1
262	650939	Stud	2
274	510347	Exhaust Gasket	1
275	390322	Muffler (includes reference 274 and 277)	1
277	650938	Screw, 1/4-20 UNC x 2.409" Long	2
290	410246A	Fuel Line	1
292	410253	Fuel Line Clamp	2
297	27261	Washer	1
298	650954	Lock Nut, #8-32 UNF	1
300	410284	Fuel tank (includes reference 290, 292, 298 and 307C)	1
301	410280	Fuel Cap	1
326	570659	Blower Housing Plug	2
331	610650B	Toggle Switch	1
370	550244	Decal (TC II)	1
370C	550239	Choke Decal	1
370Q	550246	Emissions Decal	1
380	640901	Carburetor (includes reference 184)	1
391	590690	Rewind Starter and Housing Assembly	1
416	390301A	Spark Arrestor Kit	1

**Applicable Replacement
Parts Diagram
Tecumesh TC300-3136
Engine Recoil Starter**



Applicable Replacement Parts Diagram Tecumseh TC300-3136 Engine Recoil Starter for use with General 210 Hole Digger

Reference Number	Part Number	Description	Required Quantity
0	590690	Rewind Starter and Housing Assembly	1
1	650987	Retainer Screw, #10-24 UNC x 1-3/8" Long	1
3	650985	Pawl Screw, #12-24 UNC x 11/64" Long	2
4	650147	Washer	1
5	590691	Pawl Spring	2
6	590692	Pawl	2
8	590693	Pulley	1
9	590562	Rewind Spring	1
12	590639	Starter Rope (#4 Rope, 71" Long)	1
13	590701	Starter Handle	1

Applicable Replacement Parts Diagram

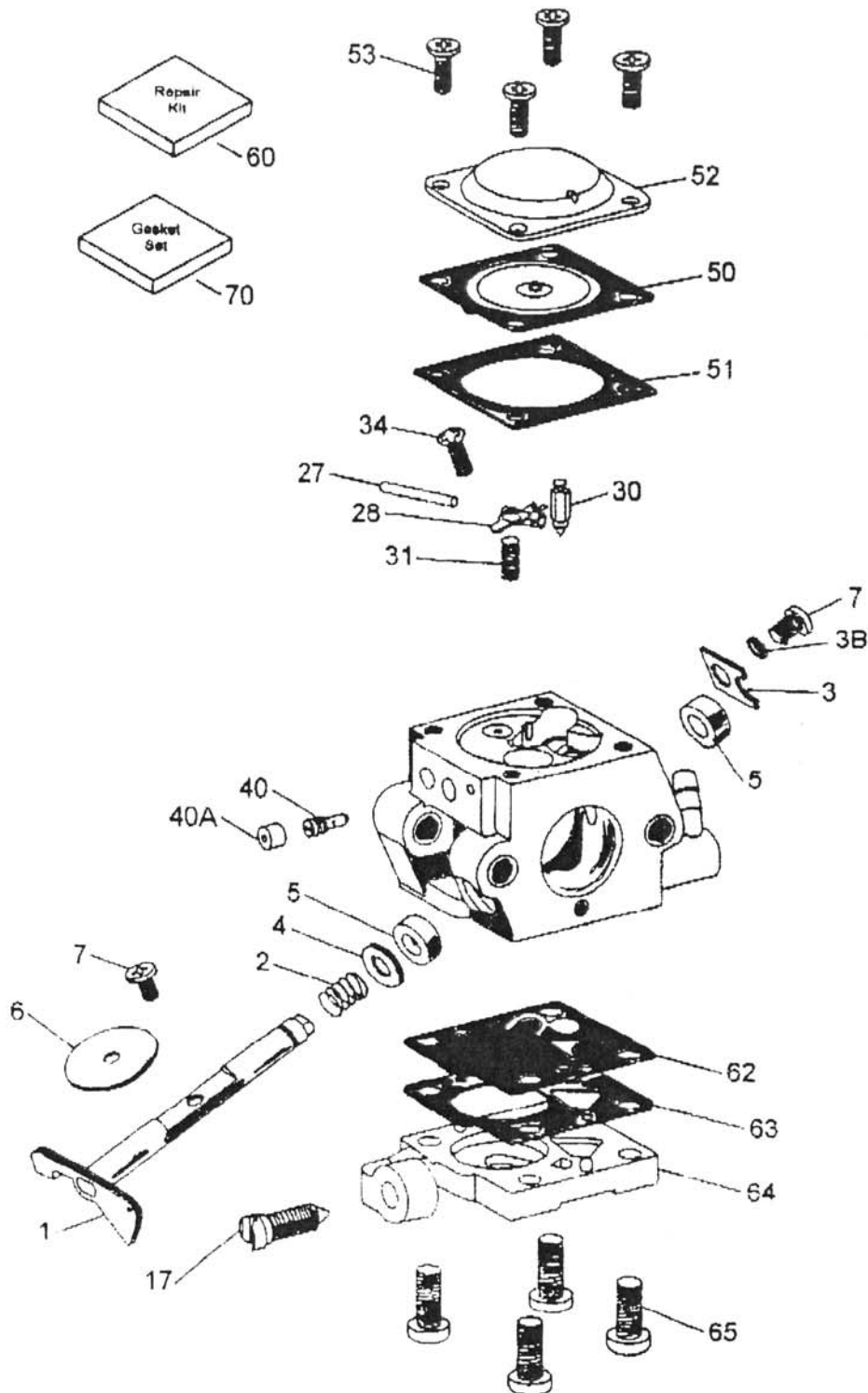
Carburetor Manufactured by Tecumseh for use with Tecumseh TC300-3136 Engine on General 210 Hole Digger

Reference Number	Part Number	Description	Required Quantity
0	640901	Carburetor (Includes Reference 184 of Engine Replacement Parts Diagram)	1
1	632947	Throttle Shaft and Lever Assembly	1
2	632928	Throttle Return Spring	1
3	632926	Dust Seal Retainer	1
3A	632950	Dust Seal Retainer Screw	1
3B	632949	Spacer	1
4	632939A	Dust Seal Washer	1
5	632929A	Dust Seal	2
6	632930	Throttle Shutter	1
7	632931	Throttle Shutter Screw	1
17	632946	Idle Speed Screw	1
20	640908	Idle Mixture Screw	1
21	640904	Idle Tension Spring	1
27	632916	Hinge Pin	1
28	632915	Metering Lever	1
30	632918	Inlet Needle	1
31	632920	Metering Lever Stop	1
34	632917	Metering Lever Pin Screw	1
45	632919	Fuel Inlet Screen	1
48	632902	Welch Plug	1
50	632904	Diaphragm (Included in Reference 60 and 70)	1
51	632903	Cover Gasket (Included in Reference 60 and 70)	1
52	632905	Cover	1
53	632906	Cover Screw	4
60	632933	Repair Kit (Includes Reference 28, 30, 45, 48, 50, 51, 62 and 63)	1
61	640909	Module Clamp Screw	1
62	632908	Pump Diaphragm (Included in Reference 60 and 70)	1
63	632907	Pump Gasket (Included in Reference 60 and 70)	1
64	632988	Pump Cover	1
65	632945	Pump Cover Screw	4
68	640906	Adjustment Limiter module	1
69	640907	Adjustment Limiter Cap	2
70	632934	Diaphragm/Gasket Set (Includes Reference 50, 51, 62, and 63)	1
<p>NOTE: DETERMINE THE MANUFACTURER OF THE CARBURETOR (TILLOSTSON OR TECUMSEH) BEFORE ORDERING REPLACEMENT PARTS. IF IT IS MANUFACTURED BY TILLOSTSON, IT WILL BE MARKED TILLOTSON. IF IT IS MANUFACTURED BY TECUMSEH, IT WILL NOT BE MARKED.</p>			

Applicable Replacement Parts Diagram

Tecumseh TC300-3136

Engine Carburetor Manufactured by Tecumseh



Applicable Replacement Parts Diagram
Carburetor Manufactured by Tecumseh (no markings)
for use with Tecumseh TC300-3136 Engine on
General 210 Hole Digger

Reference Number	Part Number	Description	Required Quantity
0	640231	Carburetor (Includes Reference 184 of Engine Replacement Parts Diagram)	1
1	640232	Throttle Shaft and Lever Assembly	1
2	640233	Throttle Return Spring	1
3	640234	Dust Seal Retainer	1
3B	640236	Spacer	1
4	640237	Dust Seal Washer	1
5	640238	Dust Seal	2
6	640239	Throttle Shutter	1
7	640235	Screw, Throttle Shutter and Dust Seal Retainer	2
17	640240	Idle Speed Screw	1
27	640241	Hinge Pin	1
28	640242	Metering Lever Spring	1
30	640243	Inlet Needle	1
31	640244	Metering Lever Spring	1
34	640245	Screw, Metering Lever Pin	1
40	640246	High Speed Jet	1
40A	640247	High Speed Jet Sealer Cap	1
50	640248	Diaphragm (Included in Reference 70)	1
51	640249	Cover Gasket (Included in Reference 70)	1
52	640250	Cover	1
53	640251	Cover Screw	4
60	640256	Repair Kit (Includes Reference 28, 30 and 70)	1
62	640252	Pump Diaphragm (Included in Reference 70)	1
63	640253	Pump Gasket (Included in Reference 70)	1
64	640255	Pump Cover	1
65	640254	Pump Cover Screw	1
70	640257	Gasket Set (Includes Reference 50, 51, 62, and 63)	1
<p>NOTE: DETERMINE THE MANUFACTURER OF THE CARBURETOR (TILLOSTSON OR TECUMSEH) BEFORE ORDERING REPLACEMENT PARTS. IF IT IS MANUFACTURED BY TILLOSTSON, IT WILL BE MARKED TILLOTSON. IF IT IS MANUFACTURED BY TECUMSEH, IT WILL NOT BE MARKED.</p>			