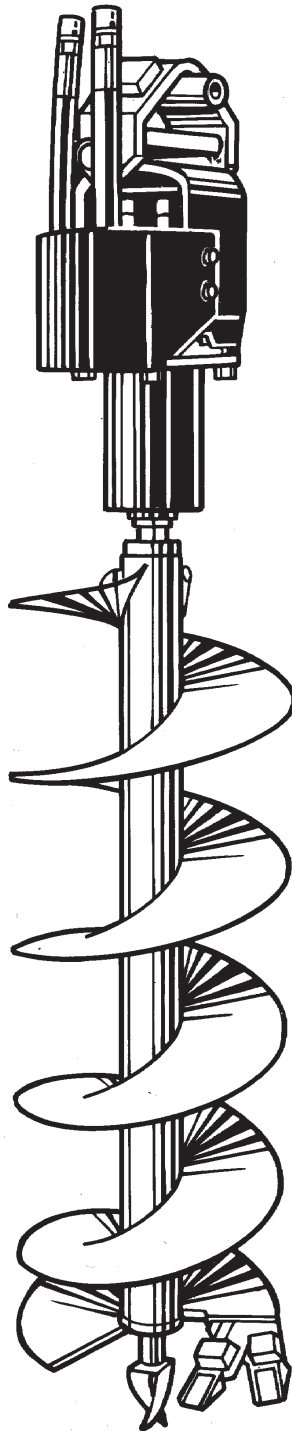
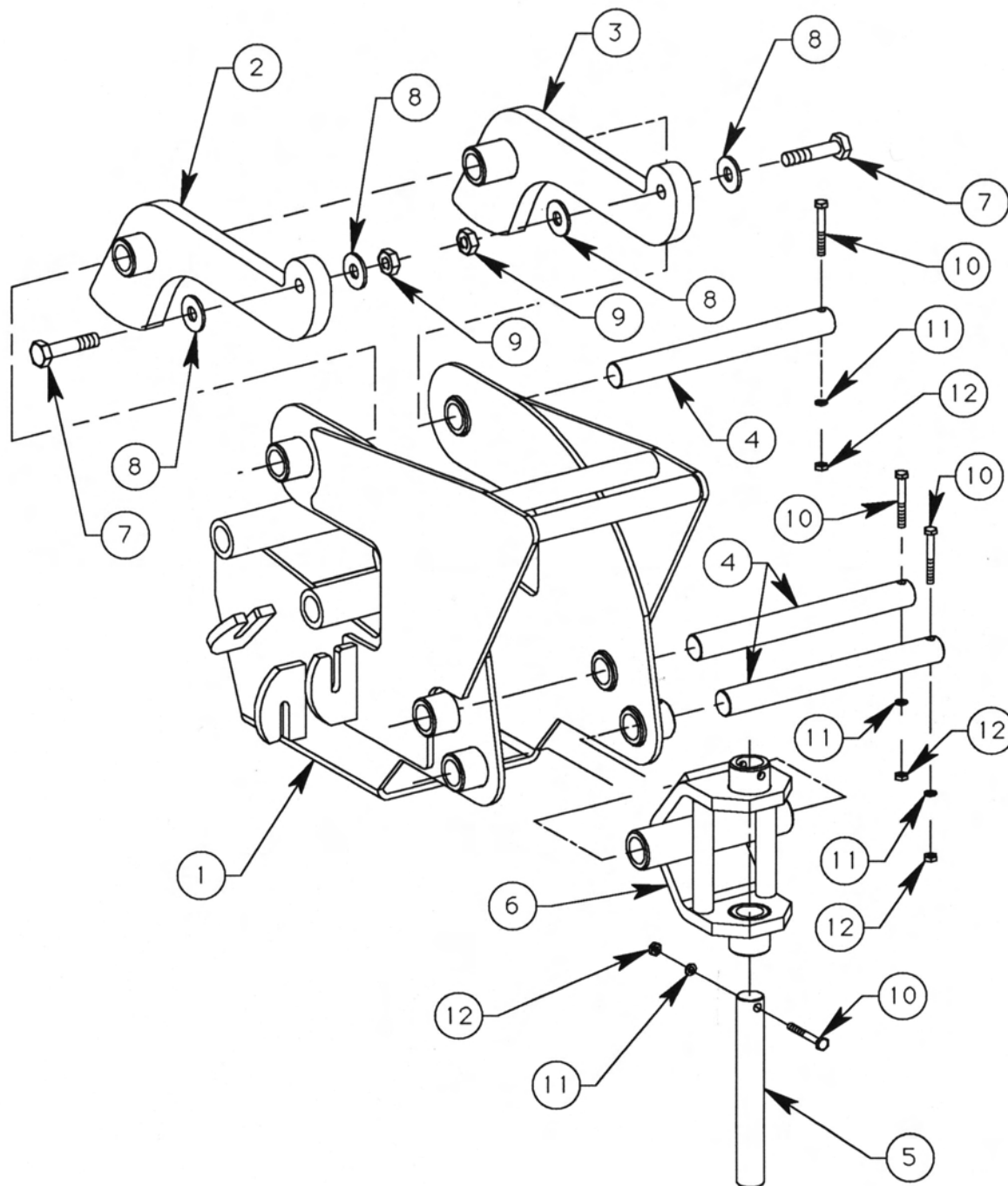


# Service Parts Section

## 471 and 553 DIG-R-TACH<sup>®</sup>



# Bucket Mounting Clamp Assembly M471-12, M471-20, M553-12, And M553-20 Series DIG-R-TACH<sup>®</sup>



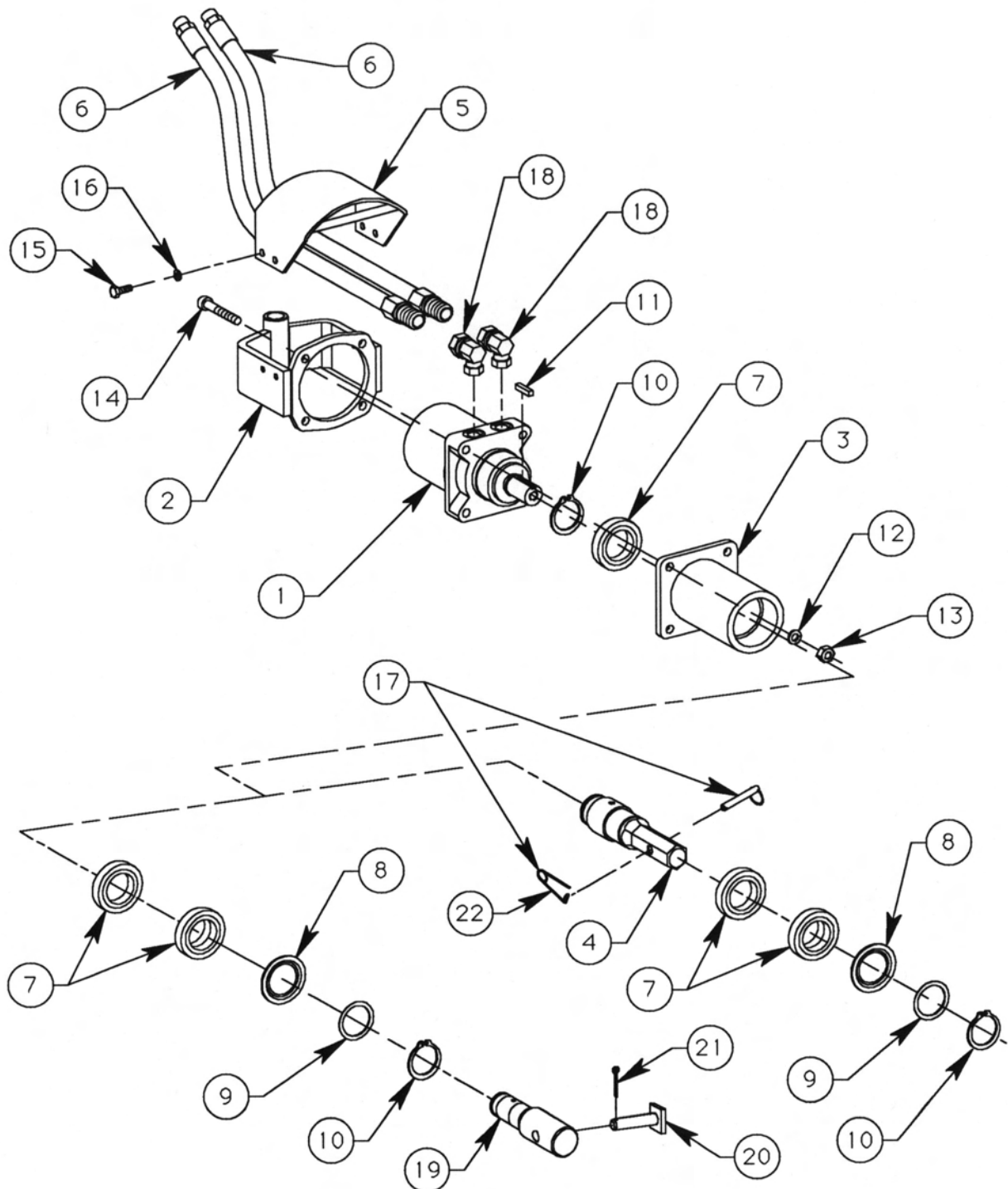
# Bucket Mounting Clamp Assembly

## M471-12, M471-20, M553-12, And M553-20

### Series DIG-R-TACH<sup>®</sup>

Reference Number	PART NUMBER	DESCRIPTION	QTY
1	471-1000	Mount, Bucket	1
2	471-0060	Clamp, RH	1
3	471-0050	Clamp, LH	1
4	471-0120	Pin, 9-1/2" Long	3
5	671-0180	Pin, 7-3/4" Long	1
6	471-0020	U-Joint	1
7	15082000	Screw, Cap, 1/2-13 UNC x 2-1/2", Plated, Grade 5	2
8	15080000	Washer, Flat, 1/2", Plated	4
9	53080000	Nut, Hexagon, 1/2-13 UNC, Nylock®, Plated	2
10	15041600	Screw, Cap, 1/4-20 UNC x 2", Plated, Grade 5	4
11	16040000	Washer, Lock, 1/4", Plated	4
12	18040000	Nut, Hexagon, 1/4-20 UNC, Plated	4

# Power Head Assembly M471-12, M471-20, M553-12, And M553-20 Series DIG-R-TACH<sup>®</sup>



# Power Head Assembly

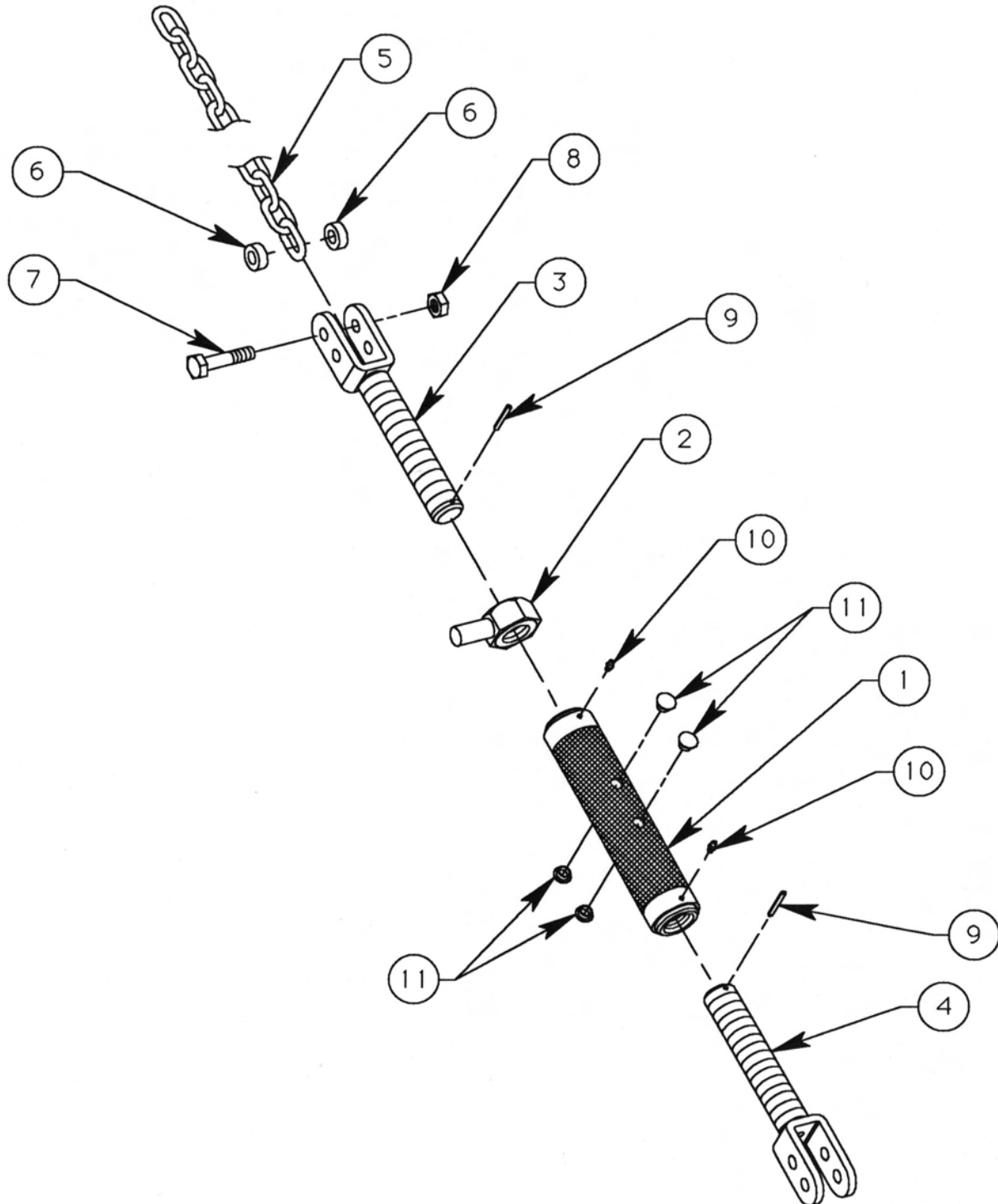
## M471-12, M471-20, M553-12, And M553-20

### Series DIG-R-TACH<sup>®</sup>

Referance Number	PART NUMBER	DESCRIPTION	QTY
1	671-0400	Motor, Hydraulic (M471-12 & M553-12)	1
	471-0240	Motor, Hydraulic (M471-20 & M553-20)	1
2	471-0010	Mount, Top	1
3	471-0030	Tube, Bearing	1
4	471-0041	Shaft, Drive, 2" Hexagon (M471-12 & M471-20)	1
5	471-0100	Guard, Hose	1
6	671-0110	Hose, Hydraulic, 12"	2
7	6010-2RS	Bearing	3
8	6010ZAV	Ring, Nilos <sup>®</sup>	1
9	A-50	Spacer, Nilos <sup>®</sup> Ring	1
10	5160-193	Ring, Snap	2
11	63051400	Key, Square (5/16" x 5/16" x 1-3/4")	1
12	16080000	Wash, Lock, 1/2", Plated	4
13	18080000	Nut, Hexagon, 1/2-13 UNC, Plated	4
14	15082400	Screw, Cap, 1/2-13 UNC x 3", Plated, Grade 5	4
15	15060800	Screw, Cap, 3/8-16 UNC x 1", Plated, Grade 5	4
16	16060000	Washer, Lock, 3/8", Plated	4
17	15123200	Screw, Cap, 3/4-10 UNC x 4", Plated, Grade 5 (M471-12 & M471-20)	1
18	18120000	Nut, hexagon, 3/4"-10 UNC, Plated (M471-12 & M553-12)	1
19	553-0140	Shaft, Drive, 2-9/16" Round (M553-12 & M553-20)	1
20	75321	Pin, Auger (M553-12 & M553-20)	1
21	22041000	Pin, Cotter, 1/4" x 1-1/4" (M533-12 & M533-20)	1

\* Part Number Varies With Application consult Factory

# Turnbuckle Assembly M471-12, M471-20, M553-12, And M553-20 Series DIG-R-TACH<sup>®</sup>



# Turnbuckle Assembly

## M471-12, M471-20, M553-12, And M553-20

### Series DIG-R-TACH <sup>®</sup>

Referance Number	PART NUMBER	DESCRIPTION	QTY
1	471-0070	Turnbuckle Weldment	2
2	550-0610	Nut, Jam	2
3	471-0080	Screw, RH	2
4	471-0090	Screw, LH	2
5	471-0130	Chain, Clamp	2
6	471-0110	Spacer, Chain	4
7	15082000	Screw, Cap, 1/2-13 UNC x 2-1/2", Plated, Grade 5	2
8	53080000	Nut, Hexagon, 1/2-13 UNC, Nylock®, Plated	2
9	20031200	Pin, Roll, 3/16" x 1-1/2"	2
10	550-0590	Fitting, Grease	2
11	BPF/ 1/2	Caplug	4