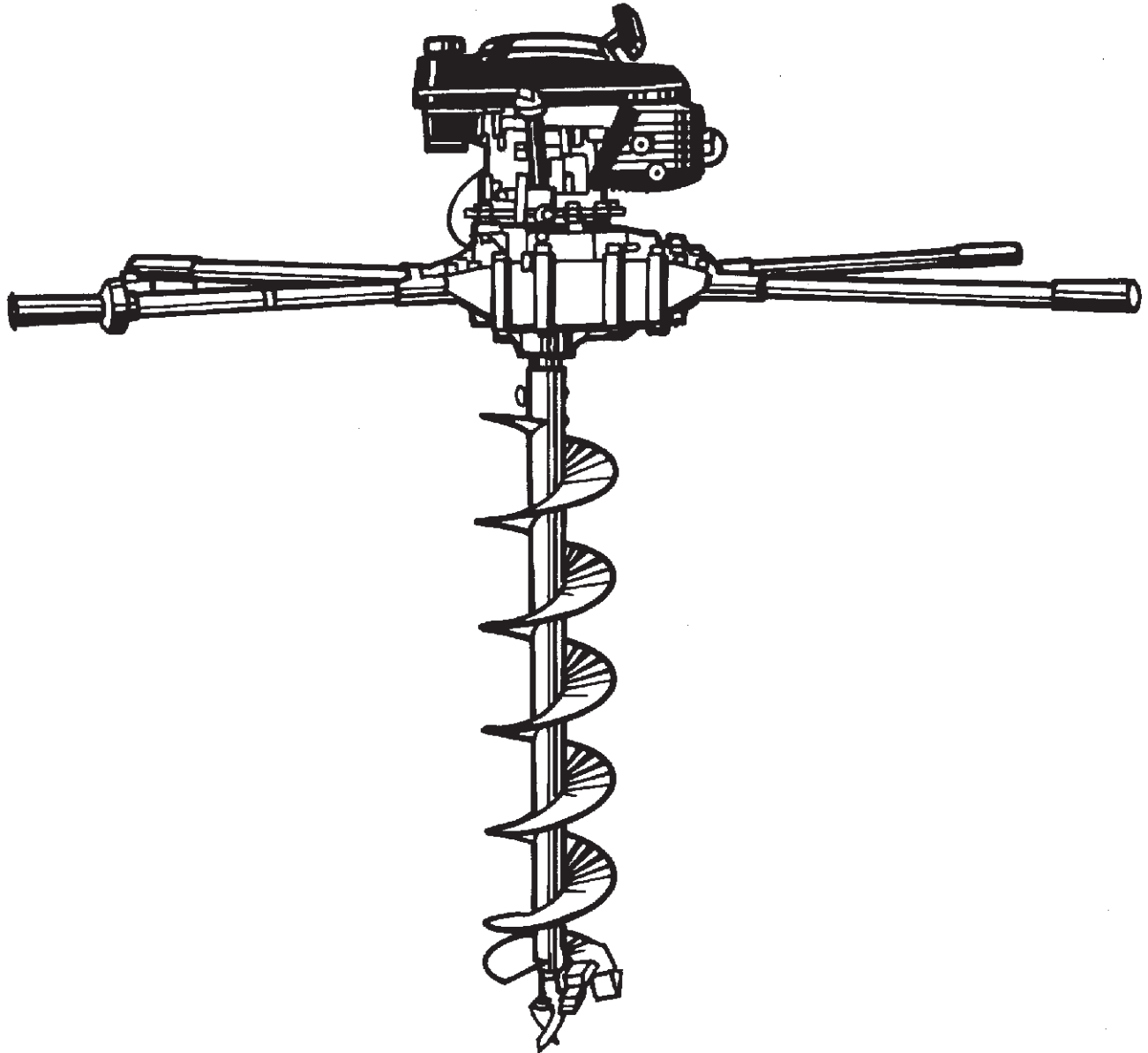
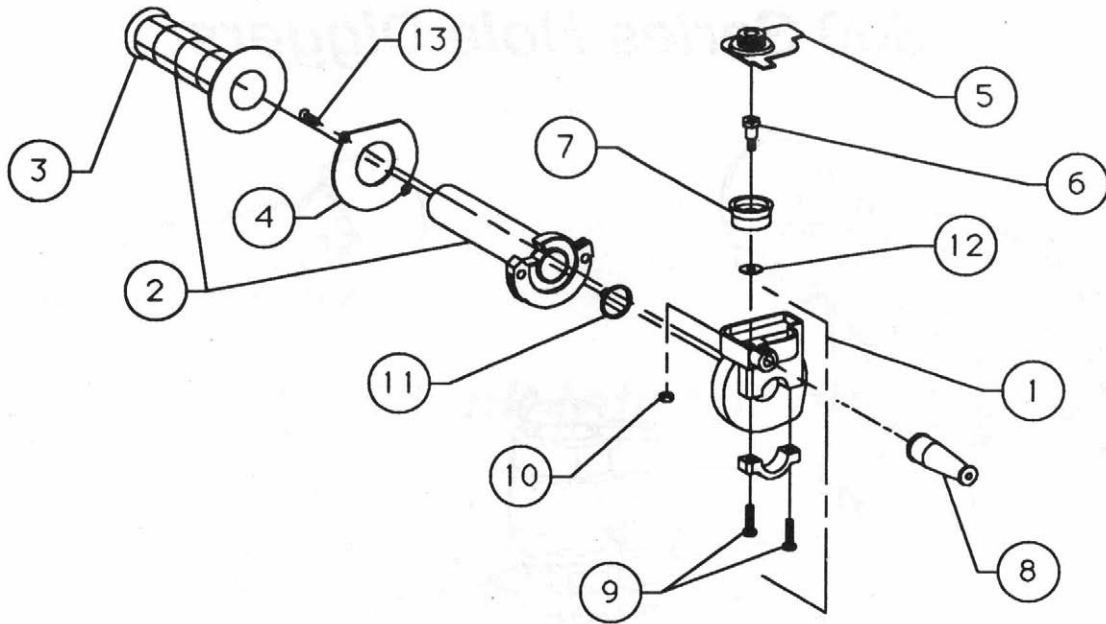


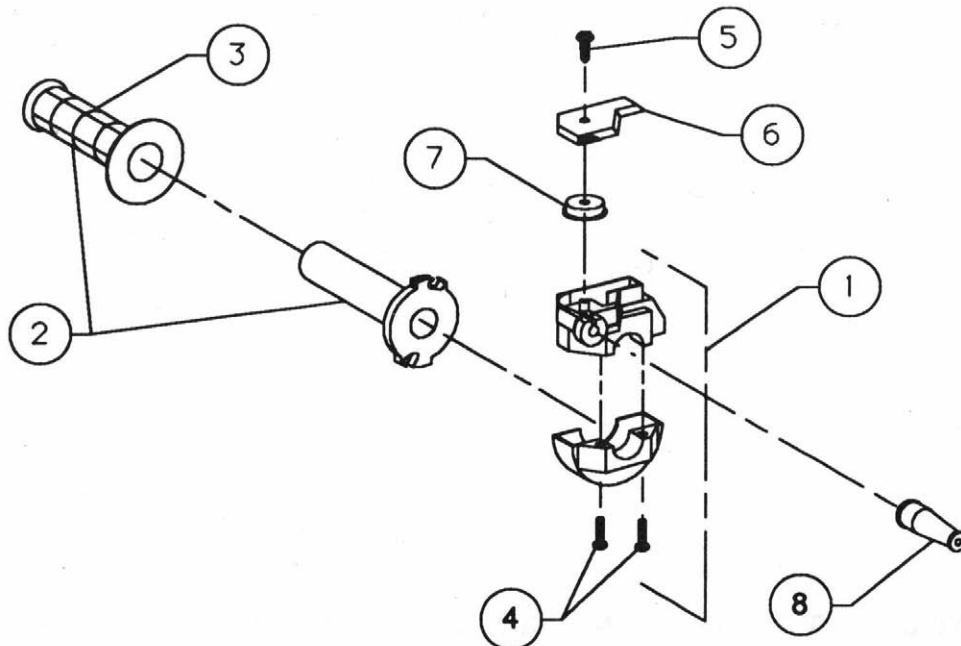
***Replacement Parts Diagrams
300 Series Hole Digger***



**Aluminum Body Series 312
Magura® Throttle Control Assembly
300 Series Hole Diggers**



**Plastic Body Series 314
Magura® Throttle Control Assembly
300 Series Hole Diggers**



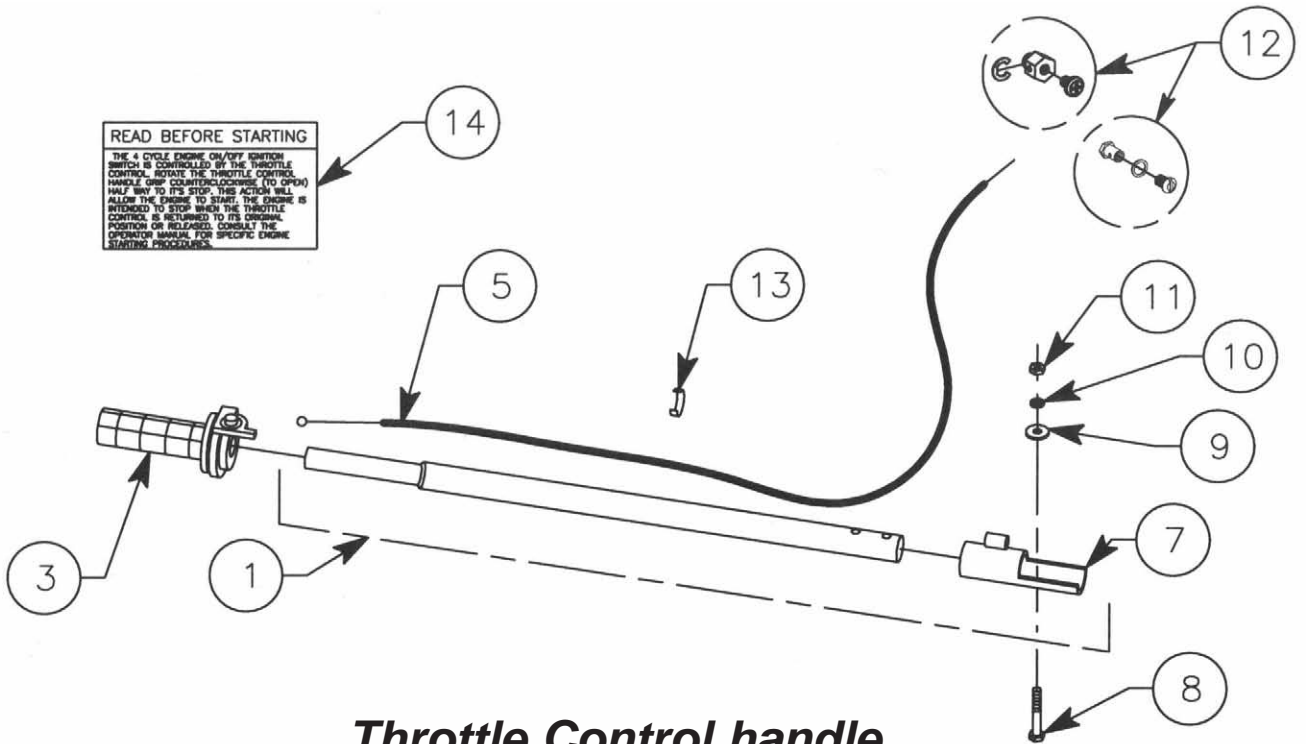
Aluminum Body Series 312
Magura® Throttle Control Assembly
300 Series Hole Diggers

Reference Number	PART NUMBER	DESCRIPTION	QUANTITY
1	310-0020-010-A	Body & Clamp, Throttle (Includes P/N 310-0020-100, Qty 2)	1
2	310-0020-020-A	Tube, Throttle (Includes P/N 310-0020-030)	1
3	310-0020-030	Grip, Handle	1
4	310-0020-040	Disc, Cover	1
5	310-0020-050	Cover, Aluminum	1
6	310-0020-060	Bolt, Axle	1
7	310-0020-070	Sheave, Roller	1
8	310-0020-080	Boot, Rubber	1
9	310-0020-100	Screw, Pan Head, M5 x 18	2
10	310-0020-110	Nut, Hexagon	1
11	310-0020-120	Washer, Insert	1
12	310-0020-130	Washer	1
13	310-0020-140	Screw	2

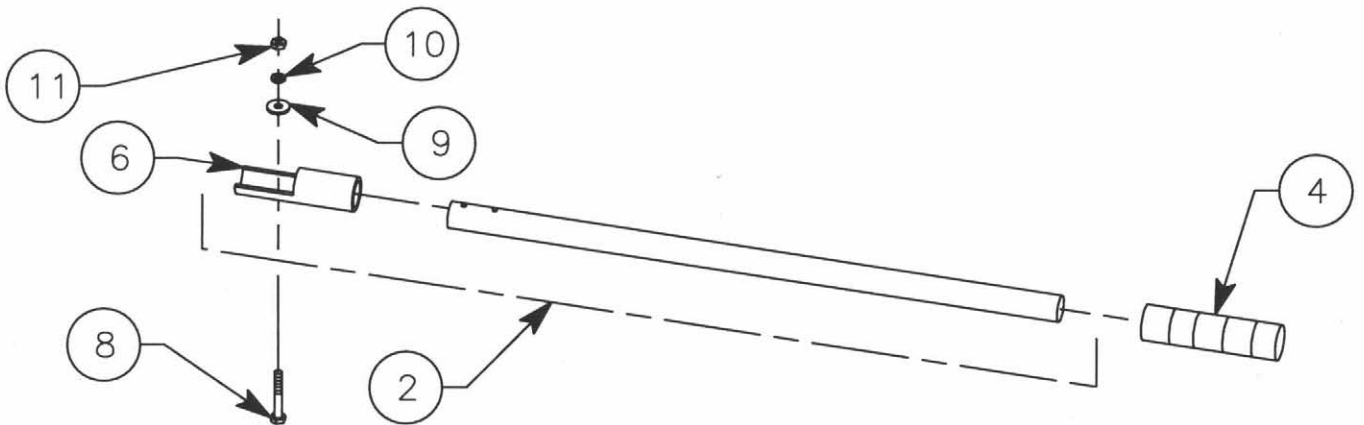
Plastic Body Series 314
Magura® Throttle Control Assembly
300 Series Hole Diggers

Reference Number	PART NUMBER	DESCRIPTION	QUANTITY
1	310-0030-010-A	Body Assembly, (Includes P/N 310-0030-040, Qty 2)	1
2	310-0030-020-A	Tube, Throttle (Includes P/N 310-0020-030)	1
3	310-0020-030	Grip, Handle	1
4	310-0030-040	Screw, Pan Head, M5 x 20	2
5	310-0030-050	Screw, Self Tapping	1
6	310-0030-060	Cover, Top	1
7	310-0030-070	Sheave, Roller	1
8	310-0020-080	Boot, Rubber	1

Operator Handle Assemblies 300 Series Hole Diggers



**Throttle Control handle
One Assembly Per Machine**



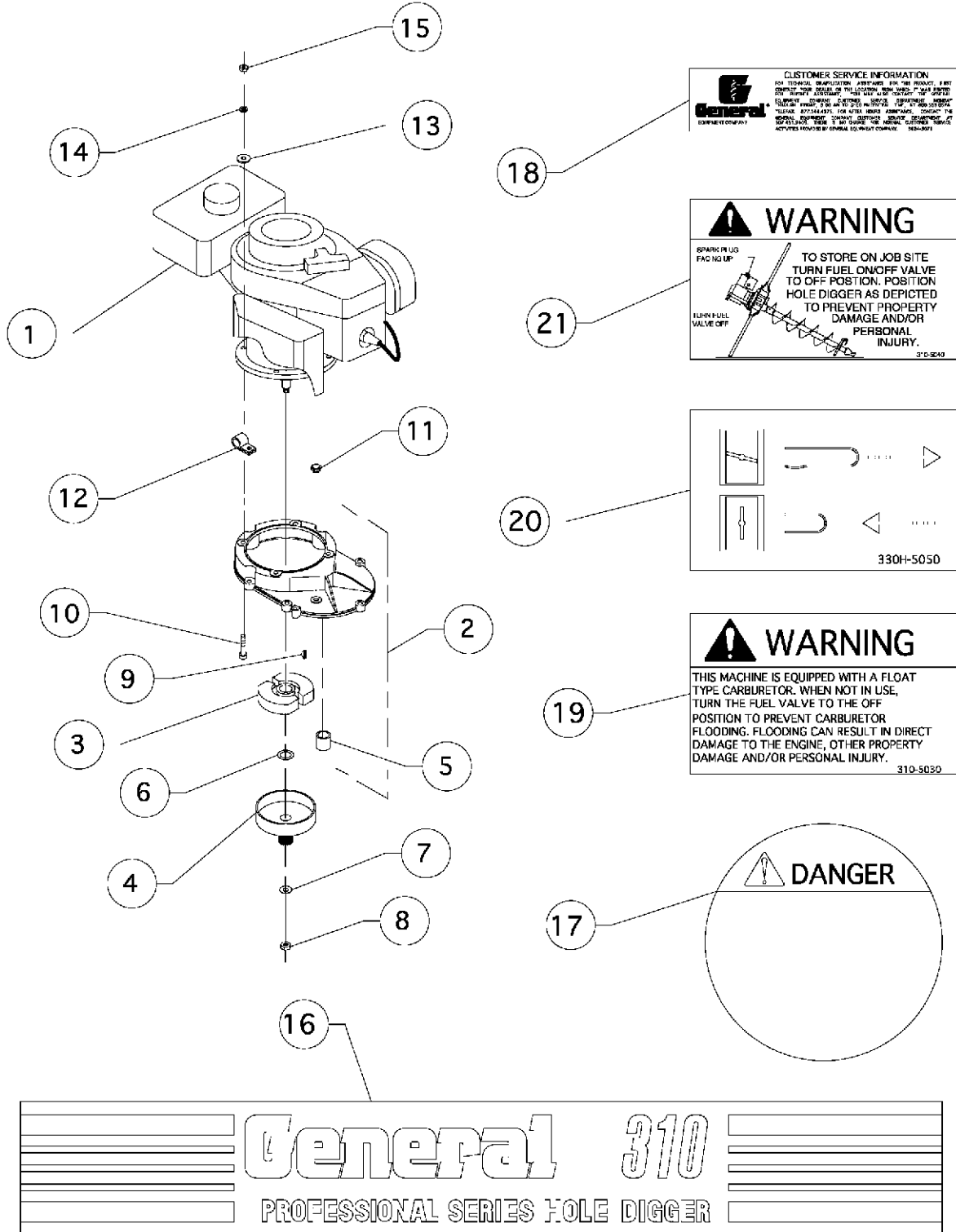
**Operator handle
Three Assemblies Per Machine**

Handle Assemblies

300 Series Hole Diggers

Reference Number	PART NUMBER	DESCRIPTION	QUANTITY
1	310-0091-A	Handle, Throttle (Includes P/N 310-0012)	1
2	310-0092-A	Handle, Operator (Includes P/N 310-0011 & P/N 330-0070)	3
3	310-0030	Throttle, Twist Control, Plastic, Complete	1
4	330-0070	Grip, Handle	3
5	310-0081	Cable, Throttle	1
6	310-0011	Tube, Handle Brace	3
7	310-0012	Tube, Handle Brace (Throttle)	1
8	15051800	Screw, Cap, 5/16" x 2-1/4" UNC, Grade 5, Plated	8
9	17040000	Washer, Flat, 1/4", Plated	8
10	16050000	Washer, Lock, 5/16", Plated	8
11	18050000	Nut, Hex, 5/16" UNC, Plated	8
12	WS-277	Assembly, Swivel	1
	330-0320	Assembly, Sivel (GXV160 Honda Engine Only)	1
13	CC-1	Clip, Throttle	1
14	330H-5040	Decal, Ignition (Used On Four Cycle Engines Only)	1

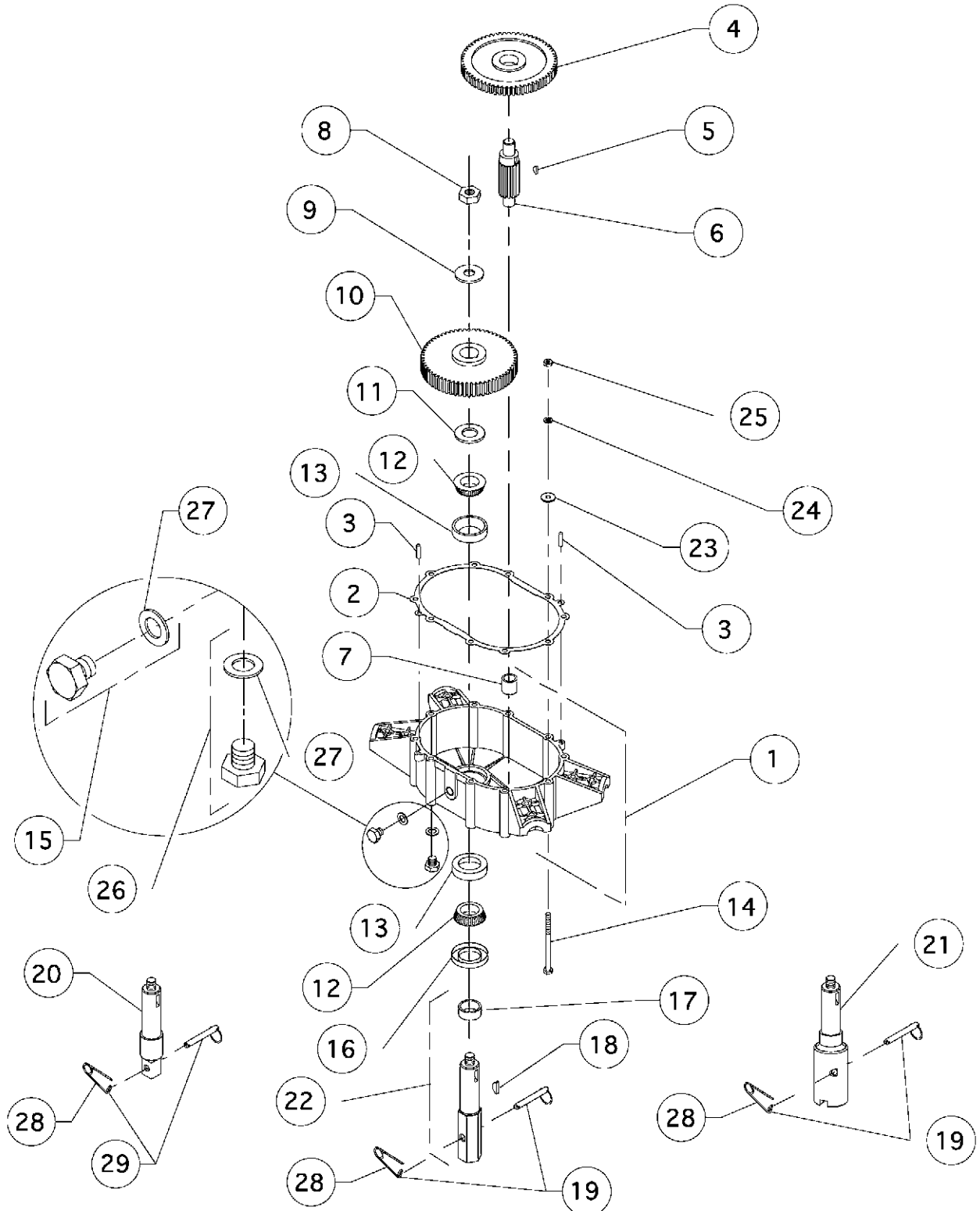
Engine And Cover Assembly 310F, 342F, & 356F Hole Diggers Equipped With Subaru EC10 Series Engine



**Engine And Cover Assembly
310F, 342F, & 356F Hole Diggers
Equipped With Subaru EC10 Series Engine**

Reference Number	PART NUMBER	DESCRIPTION	QUANTITY
1	EC10-YV7100	Engine, Subaru (4 HP)	1
2	310-0132-A	Cover, Transmission (Includes P/N FES 2250-7)	1
3	3017	Rotor And Shoe Assembly, Clutch	1
4	3016-1	Drum And Pinion Assembly, Clutch	1
5	FES 2250-7	Bushing, Oilite®	1
6	11088	Washer, Fiber	1
7	AN-960-716	Washer, Flat, 7/16", Plain Finish	1
8	19070001	Nut, Jam Lock, 7/16" UNF	1
9	8	Key, Woodruff, 3/16" x 5/8", Alloy	1
10	60051100	Screw, Socket, 5/16" x 1 3/8" UNC, Plated	4
11	5677	Valve, Pressure Release	1
12	COV-0411	Clamp, Plated	1
13	AN-960-516L	Washer, AN Type, 5/16", Plated	4
14	16050000	Washer, Lock, 5/16", Plated	4
15	18050000	Nut, Hex, 5/16", Plated	4
16	310-5011	Decal, (Model 310F Only)	1
	342-5010	Decal, (Model 342F Only)	1
	356-5010	Decal, (Model 356F Only)	1
17	210-5020	Decal, Danger	1
18	SG24-5071	Decal Assistance	1
19	310-5030	Decal, Wrning	1
20	330H-5050	Decal, Chock	1
21	310-5040	Decal, Warning	1

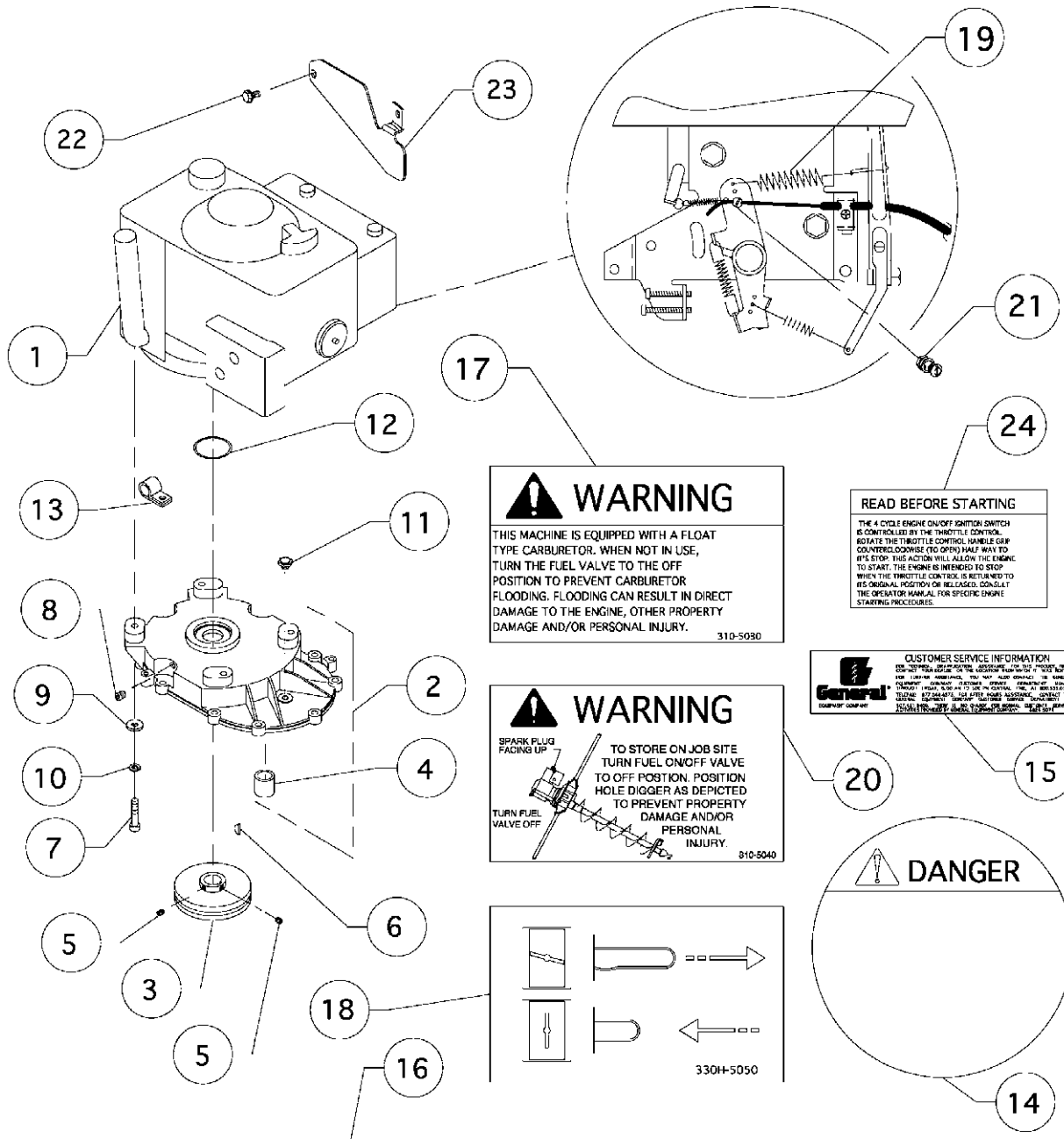
Transmission Assembly 310F, 342F, 356F Hole Diggers Equipped With Subaru EC10 Series Engine



**Transmission Assembly
310F, 342F, 356F Hole Diggers
Equipped With Subaru EC10 Series Engine**

Reference Number	PART NUMBER	DESCRIPTION	QUANTITY
1	310-0121-A	Case, Transmission (Includes P/N A-1007-8 and 08231)	1
2	310-0101	Gasket, Transmission	1
3	51040800	Pin, Dowel 1/4" x 1"	2
4	310-0340	Gear, Primary	1
5	6	key, Woodruff, 5/32" x 5/8", Alloy	1
6	345-0310	Pinion	1
7	FES2250-7	Bushing, Oilite®	1
8	19100001	Nut, Hex, 5/8" UNF, Self-Locking	1
9	17100000	Washer, Flat, 5/8", Plain Finish	1
10	345-0350	Gear, Secondary	1
11	08125/08231B-AV	Ring, Nilos®	1
12	08125	Cone, Bearing	2
13	08231	Cup, Bearing	2
14	15053600	Screw, Cap, 5/16" x 4 1/2" UNC, Plated	10
15	50100801	Plug, Oil Level (Includes P/N 66044)	1
16	471820	Seal, Oil	1
17	345-0332-020	Bushing	1
18	15	Key, Woodruff, 1/4" x 1", Alloy	1
19	2121	Pin, Auger, General and Stihl (Includes P/N AP-21-S)	1
20	342-0332	Shaft, Drive, 7/8" Square, Ground Hog Type Drive, (P/N 345-0332-020 Not Required)	1
21	356F-0330	Shaft, Drive, Stihl Type Drive (P/N 345-0332-020 Not Required)	1
22	345-0332-A	Shaft, Drive, 1 3/8" Hexagon, 6 Sided, (Includes P/N 345-0332-020)	1
23	AN-960-516L	Washer, AN Type, 5/16", Plated	10
24	16050000	Washer, Lock, 5/16", Plated	10
25	18050000	Nut, Hex, 5/16" UNC, Plated	10
26	50100800	Plug, Oil Drain (Includes P/N 66044)	1
27	66044	Gasket, Oil Plug	2
28	AP-21-S	Pin, Safety	1
29	2021	Pin, Auger, Ground Hog (Includes P/N AP-21-S)	1

Engine And Cover Assembly 330H, 343H, & 357H Hole Diggers Equipped with Honda GXV140 Engine [Serial Ending with 33022418]



WARNING

THIS MACHINE IS EQUIPPED WITH A FLOAT TYPE CARBURETOR. WHEN NOT IN USE, TURN THE FUEL VALVE TO THE OFF POSITION TO PREVENT CARBURETOR FLOODING. FLOODING CAN RESULT IN DIRECT DAMAGE TO THE ENGINE, OTHER PROPERTY DAMAGE AND/OR PERSONAL INJURY.

310-5030

READ BEFORE STARTING

THE 4 CYCLE ENGINE ON/OFF IGNITION SWITCH IS CONTROLLED BY THE THROTTLE CONTROL. ROTATE THE THROTTLE CONTROL HANDLE GEAR COUNTERCLOCKWISE (TO OPEN) HALF WAY TO ITS STOP. THIS ACTION WILL ALLOW THE ENGINE TO START. THE ENGINE IS INTENDED TO STOP WHEN THE THROTTLE CONTROL IS RETURNED TO ITS ORIGINAL POSITION OR RELEASED. CONSULT THE OPERATOR MANUAL FOR SPECIFIC ENGINE STARTING PROCEDURES.

WARNING

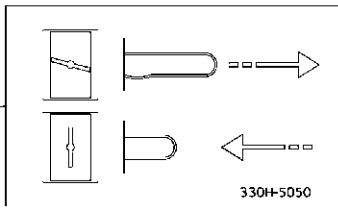
SPARK PLUG FACING UP

TO STORE ON JOB SITE TURN FUEL ON/OFF VALVE TO OFF POSITION. POSITION HOLE DIGGER AS DEPICTED TO PREVENT PROPERTY DAMAGE AND/OR PERSONAL INJURY.

310-5040

CUSTOMER SERVICE INFORMATION

FOR MORE INFORMATION, CONTACT YOUR LOCAL GENERAL EQUIPMENT COMPANY. FOR LARGER AREAS, YOU MAY ALSO CONTACT THE GENERAL EQUIPMENT COMPANY AT THE FOLLOWING ADDRESSES: GENERAL EQUIPMENT COMPANY, 10000 W. 10TH AVENUE, DENVER, CO 80202. TELE: 877-344-5454. SEE SPECIFIC ASSOCIATION CONTACT THE LOCAL EQUIPMENT COMPANY FOR MORE INFORMATION. IF YOU ARE A MEMBER OF THE GENERAL EQUIPMENT COMPANY, YOU MAY CONTACT YOUR LOCAL GENERAL EQUIPMENT COMPANY.



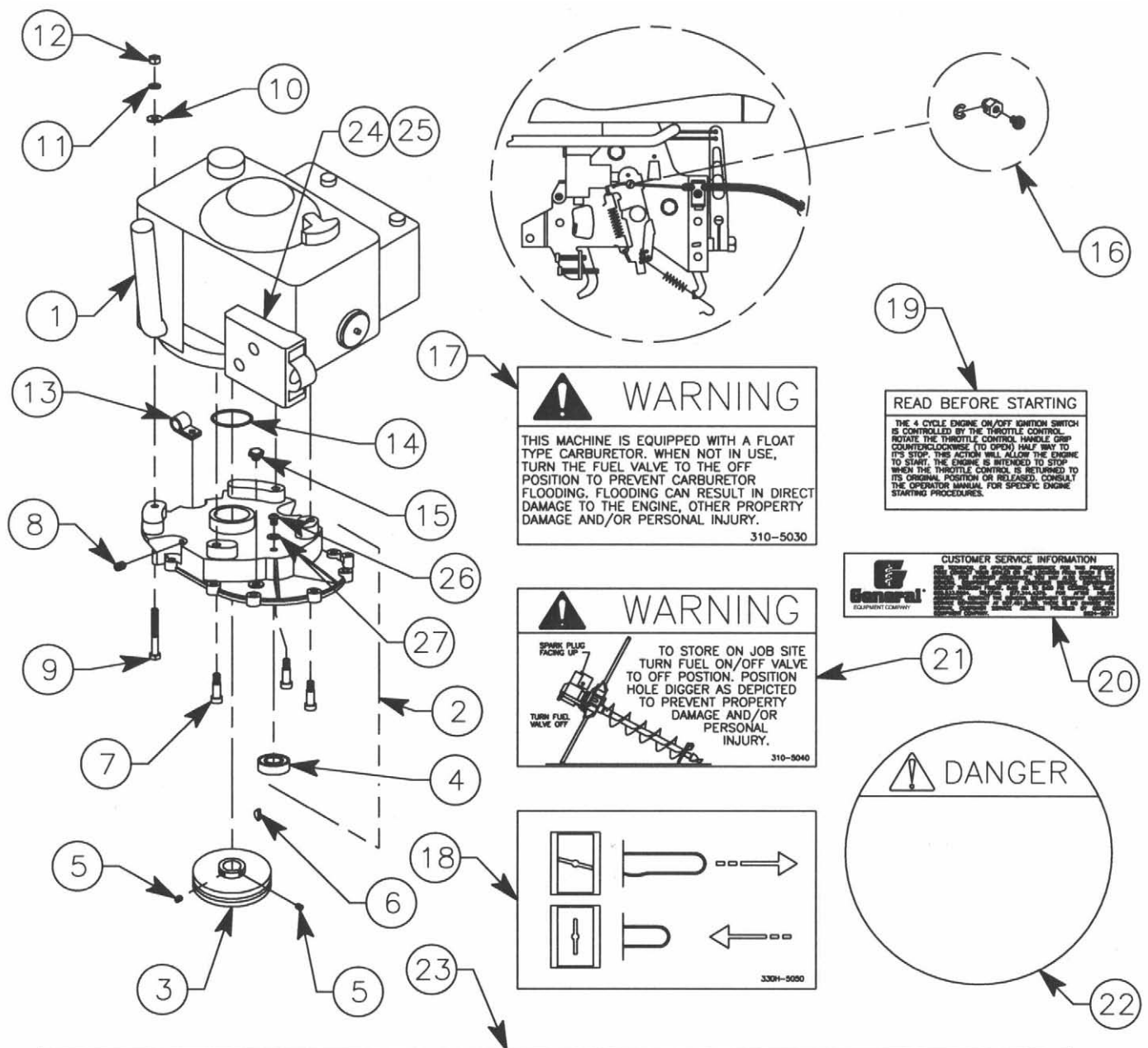
DANGER



**Engine And Cover Assembly
330H, 343H, & 357H Hole Diggers
Equipped with Honda GXV140 Engine
[Serial Ending with 33022418]**

Reference Number	PART NUMBER	DESCRIPTION	QUANTITY
1	GXV140N1GE	Engine, Honda (5 HP)	1
2	330-0134-A	Cover, Transmission (Includes P/N FES 2250-7)	1
3	330H-0170	Rotor And Shoe Assembly, Clutch	1
4	FES 2250-7	Bushing, Oilite®	1
5	31040201	Screw, Set, Cup, 1/4-28 x 1/4"	2
6	6	Key, Woodruff, 5/32" x 5/8", Alloy	2
7	60051401	Screw, Scocket, 5/16" x 1 3/4" UNF, Plateed	4
8	74020201	Plug, Pipe, 1/8-27 PTF	1
9	AN-960-516L	Washer, AN Type, 5/16", Plated	4
10	16050000	Washer, Lock, 5/16", Plated	4
11	5677	Valve, Pressure Release	1
12	330H-0050	"O" Ring	1
13	COV-0411	Clamp, Plated	1
14	210-5020	Decal, Danger	1
15	SG24-5071	Decal, Assistance	1
16	330-5011	Decal, (Model 330 Only)	1
	343-5010	Decal, (Model 343 Only)	1
	357-5010	Decal, (Model 357 Only)	1
17	310-5030	Decal, warning	1
18	330H-5050	Decal, Choke	1
19	330H-0400	Spring, Governor	1
20	310-5040	Decal, Warning	1
21	WS-277	Assembly, Swivel	1
22	88061010	Screw, Cap, Flange, M6 x 10mm	2
23	330H-0190	Guard, Governor Spring	1
24	330H-5040	Decal, Ignition	1

Engine And Cover Assembly 330H, 343H, & 357H Hole Diggers Equipped with Honda GXV160 Engine [Used Starting With Serial Number 33022419]



WARNING

THIS MACHINE IS EQUIPPED WITH A FLOAT TYPE CARBURETOR. WHEN NOT IN USE, TURN THE FUEL VALVE TO THE OFF POSITION TO PREVENT CARBURETOR FLOODING. FLOODING CAN RESULT IN DIRECT DAMAGE TO THE ENGINE, OTHER PROPERTY DAMAGE AND/OR PERSONAL INJURY.

310-5030

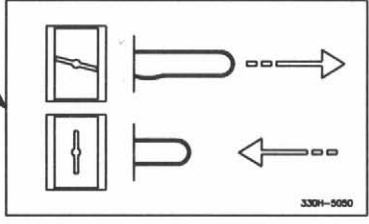
READ BEFORE STARTING

THE 4 CYCLE ENGINE ON/OFF IGNITION SWITCH IS CONTROLLED BY THE THROTTLE CONTROL. ROTATE THE THROTTLE CONTROL HANDLE GRIP COUNTERCLOCKWISE (TO OPEN) HALF WAY TO ITS STOP. THIS ACTION WILL ALLOW THE ENGINE TO START. THE ENGINE IS INTENDED TO STOP WHEN THE THROTTLE CONTROL IS RETURNED TO ITS ORIGINAL POSITION OR RELEASED. CONSULT THE OPERATOR MANUAL FOR SPECIFIC ENGINE STARTING PROCEDURES.

WARNING

TO STORE ON JOB SITE TURN FUEL ON/OFF VALVE TO OFF POSITION. POSITION HOLE DIGGER AS DEPICTED TO PREVENT PROPERTY DAMAGE AND/OR PERSONAL INJURY.

310-8040



CUSTOMER SERVICE INFORMATION

General EQUIPMENT COMPANY

DANGER



**Engine And Cover Assembly
330H, 343H, & 357H Hole Diggers
Equipped with Honda GXV160 Engine
[Used Starting With Serial Number 33022419]**

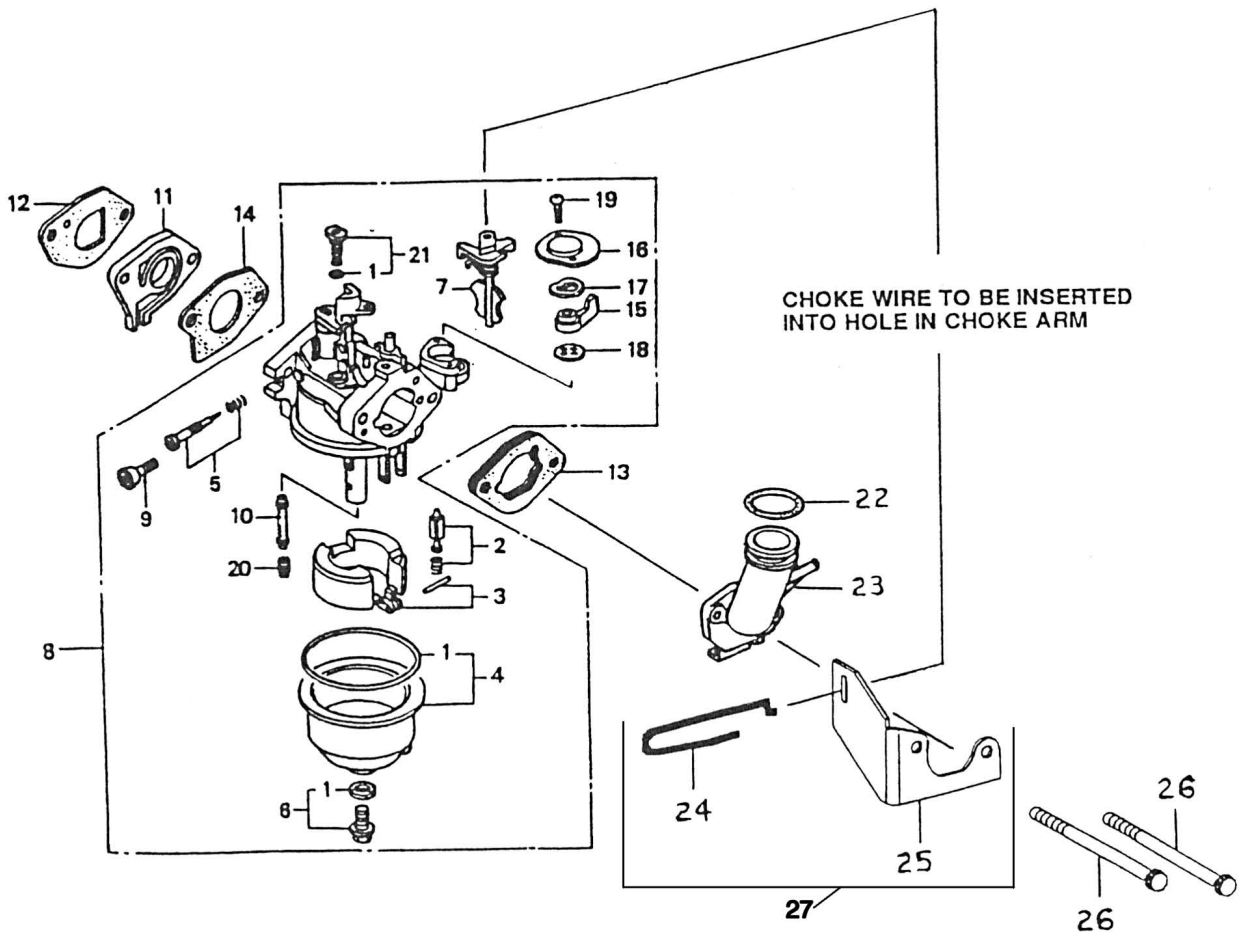
Reference Number	PART NUMBER	DESCRIPTION	QUANTITY
1	GXV160-1100	Engine, Honda (5.5 HP)	1
2	330-0136-A	Cover, Transmission (Includes P/N 6203-2RS-12)	1
3	330H-0175	Rotor And Shoe Assembly, Clutch	1
4	6203-2RS-12	Bearing, Ball	1
5	31040201	Screw, Set, Cup, 1/4-28 x 1/4"	2
6	6	Key, Woodruff, 5/32" x 5/8", Alloy	1
7	62060601	Bolt, Shoulder, (3/8" x 3/4" x 5/16-24 UNF)	3
8	74020201	Plug, Pipe, 1/8-27 PTF	1
9	15051800	Screw, Cap, 5/16-18 UNC x 2-1/4", Plated	1
10	AN-960-516L	Washer, AN Type, 5/16", Plated	1
11	16050000	Washer, Lock, 5/16", Plated	1
12	18050000	Nut, Hexagon, 5/16", Plated	1
13	COV-0411	Clamp, Plated	1
14	330H-0020	"O" Ring	1
15	5677	Valve, Pressure Release	1
16	330-0320	Swivel Assembly	1
	310-0530	Decal, Danger	1
	330H-5030	Decal, Warning	1
17	330H-5040	Decal, Choke	1
18	SG24-5072	Decal, Ignition	1
19	310-5040	Decal, Assistance	1
20	210-5020	Decal, Danger	1
21	330-5011	Decal, (Model 330 Only)	1
22	343-5010	Decal, (Model 343 Only)	1
23	357-5030	Decal, (Model 357 Only)	1
24	330H-0310	Muffler (Modified)	1
25	330H-0340	Guard, Muffler (Modified)	1
26	37050300	Screw, Panhead, Philips, 5/16-18 UNC x 3/8", Plated	1
27	330H-0200	Washer, Plastic	1

Carburetor Assembly

330H, 343H, & 357H Hole Diggers

Equipped With Honda GXV140 Engine

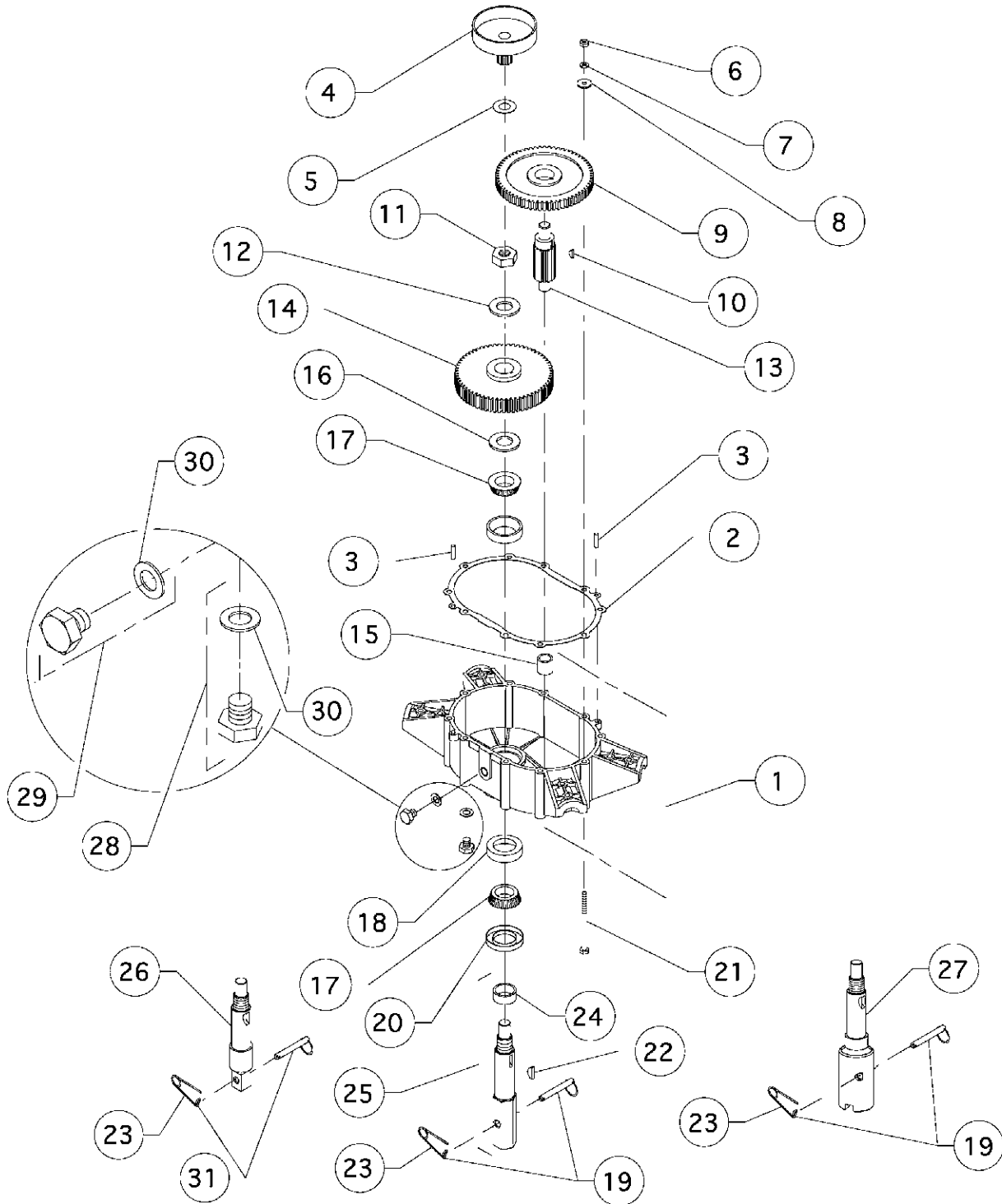
This drawing represents various revisions of the BE35A carburetor in use as of this printing. Unless otherwise specified all parts are interchangeable.



Carburetor Assembly
330H, 343H, & 357H Hole Diggers
Equipped with Honda GXV140 Engine

Reference Number	PART NUMBER	DESCRIPTION	QUANTITY
1	16010-ZG9-800	Gasket Set	1
2	16011-ZE0-005	Valve Set, Float	1
3	16013-ZE0-005	Float, Set	1
4	16015-ZG9-800	Chamber Set, Float	1
5	16016-ZH7-W01	Screw Set	1
6	16028-ZE0-005	Screw Set B	1
7	16045-ZE7-005	Choke Set	1
8	16100-ZG9-801	Carburetor Assembly (BE53A B)	1
	16100-ZG9-802	Carburetor Assembly (BE53A C)	1
9	16124-ZE0-005	Screw, Throttle Stop	1
10	16166-ZG9-801	Nozzle, Main	1
11	16211-ZG9-000	Insulator, Carburetor	1
12	16212-ZG9-T00	Gasket, Carburetor (HPE)	1
13	16220-ZE6-010	Spacer Comp., Carburetor	1
14	16221-ZG9-T00	Gasket, Carburetor	1
15	16953-ZE1-811	Lever, Valve	1
16	16954-ZE1-811	Plate, Lever Setting	1
17	16956-ZE1-811	Spring, Petcock Lever	1
18	16957-ZE1-812	Gasket Petcock	1
19	93500-03008-0G	Screw, Pan Head (3 x 8)	2
20	99101-ZH7-0520	Jet, Main (#52)	1 OPTIONAL
	99101-ZH7-0550	Jet, Main (#55)	1 OPTIONAL
	99101-ZH7-0580	Jet, Main (#58)	1
21	99204-ZE2-0380	Jet Set, Main (#38)	1
22	91301-ZG9-800	"O" -Ring (33.3 x 3.5)	1
23	17410-ZG9-800	Elbow Comp., Air Cleaner	1
24	16611-ZG9-U80	Rod, Choke Control	1
25	17954-ZG9-U80	Bracket, Choke Lever	1
26	95801-06100-00	Bolt, Flange (6 x 100)	2
27	330H-1000	Choke Conversion Kit GXV140 (Includes P/N s 16611-ZG9-U80 & 17954-ZG9-U80)	1

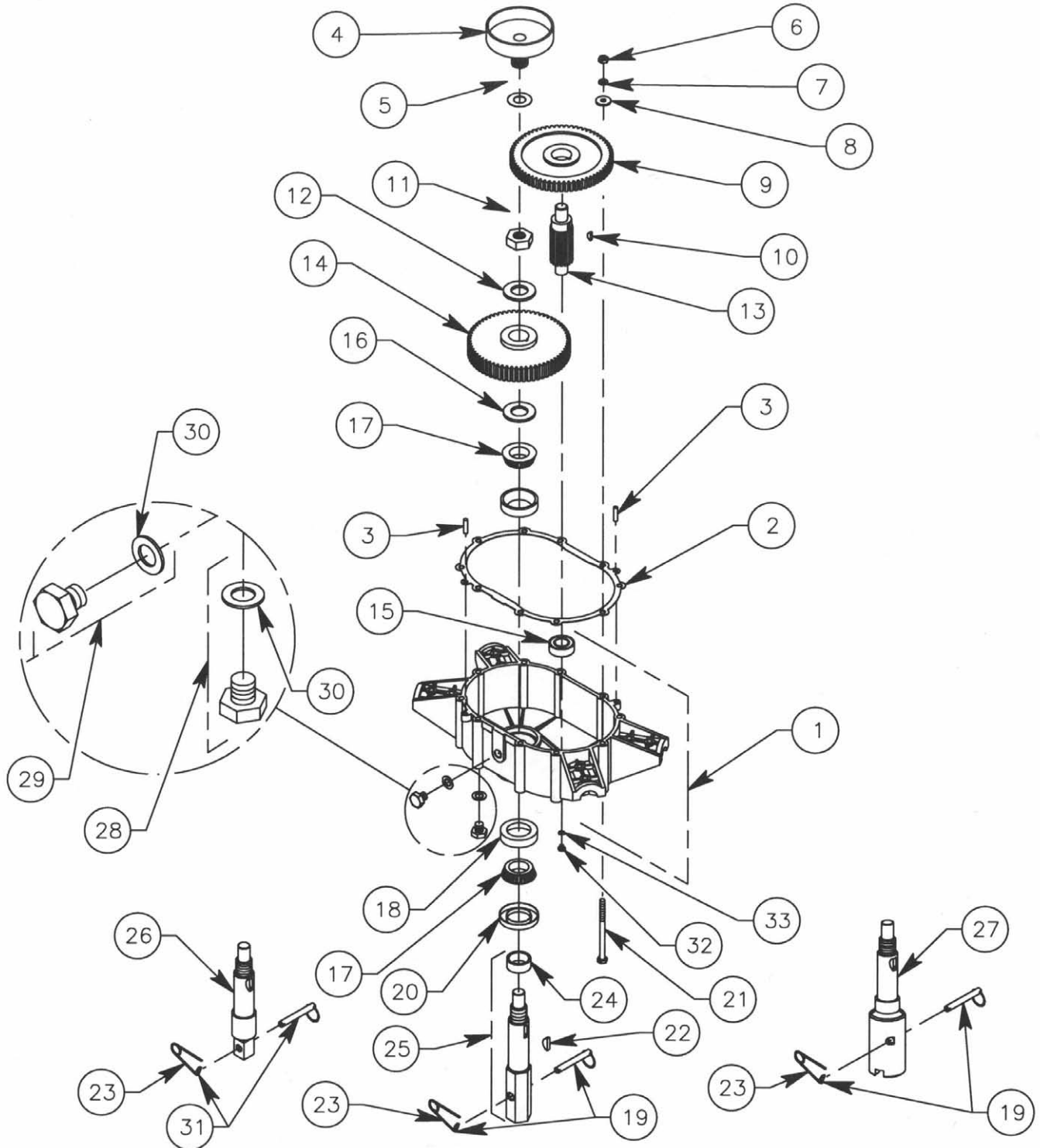
Transmission Assembly
330H, 343H, & 357H Hole Diggers
Equipped with Honda GXV140 Engine
[Serial Number Ending with 33022418]



Transmission Assembly
330H, 343H, & 357H Hole Diggers
Equipped with Honda GXV140 Engine
[Serial Number Ending with 33022418]

Reference Number	PART NUMBER	DESCRIPTION	QUANTITY
1	310-0121-A	Case, Transmission (Includes P/N A-1007-8 and 08231)	1
2	310-0101	Gasket, Transmission	1
3	51040800	Pin, Dowel, 1/4" x 1	2
4	3516	Drum And Pinion Assembly, Clutch	1
5	200682	Washer, Fiber	1
6	18050000	Nut, Hex, 5/16" UNC, Plated	10
7	16050000	Washer, Lock, 5/16", Plated	10
8	AN-960-516L	Washer, AN Type, 5/16", Plated	10
9	7034	Gear, Primary	1
10	6	Key, Woodruff, 5/32" x 5/8", Alloy	1
11	19160001	Nut, Hex, 1"-14 UNF, Self-Locking	1
12	17160000	Washer, Flat, 1", Plain Finsh	1
13	345-0310	Pinion	1
14	345-0350	Gear, Secondary	1
15	FES2250-7	Bushing, Oilite®	1
16	08125/08231B-AV	Ring, Nilos®	1
17	08125	Cone, Bearing	2
18	08231	Cup, Bearing	2
19	2121	Pin, Auger, General and Stihl (Includes P/N AP-21-S)	1
20	471820	Seal, Oil	1
21	15053600	Screw, Cap, 5/16" x 4 1/2" UNC, Grade 5, Plated	10
22	15	Key, Woodruff, 1/4" x 1", Alloy	1
23	AP-21-S	Pin, Safety	1
24	345-0332-020	Bushing	1
25	330H-0330-A	Shaft, Drive, 1 3/8" Hexagon, 6 Side (Includes P/N 345-0332-020)	1
26	343H-0330	Shaft, Drive, 7/8" Square, Ground Hog Type Drive (P/N 345-0332-020 Not Required)	1
27	357H-0330	Shaft, Drive, Stihl Type Drive (P/N 345-0332-020 Not Required)	1
28	50100800	Plug, Oil Drain (Includes P/N 66044)	1
29	50100801	Plug, Oil Level (Includes P/N 66044)	1
30	66044	Gasket, Oil Plug	2
31	2021	Pin, Auger, Gound Hog (Includes P/N AP-21-S)	1

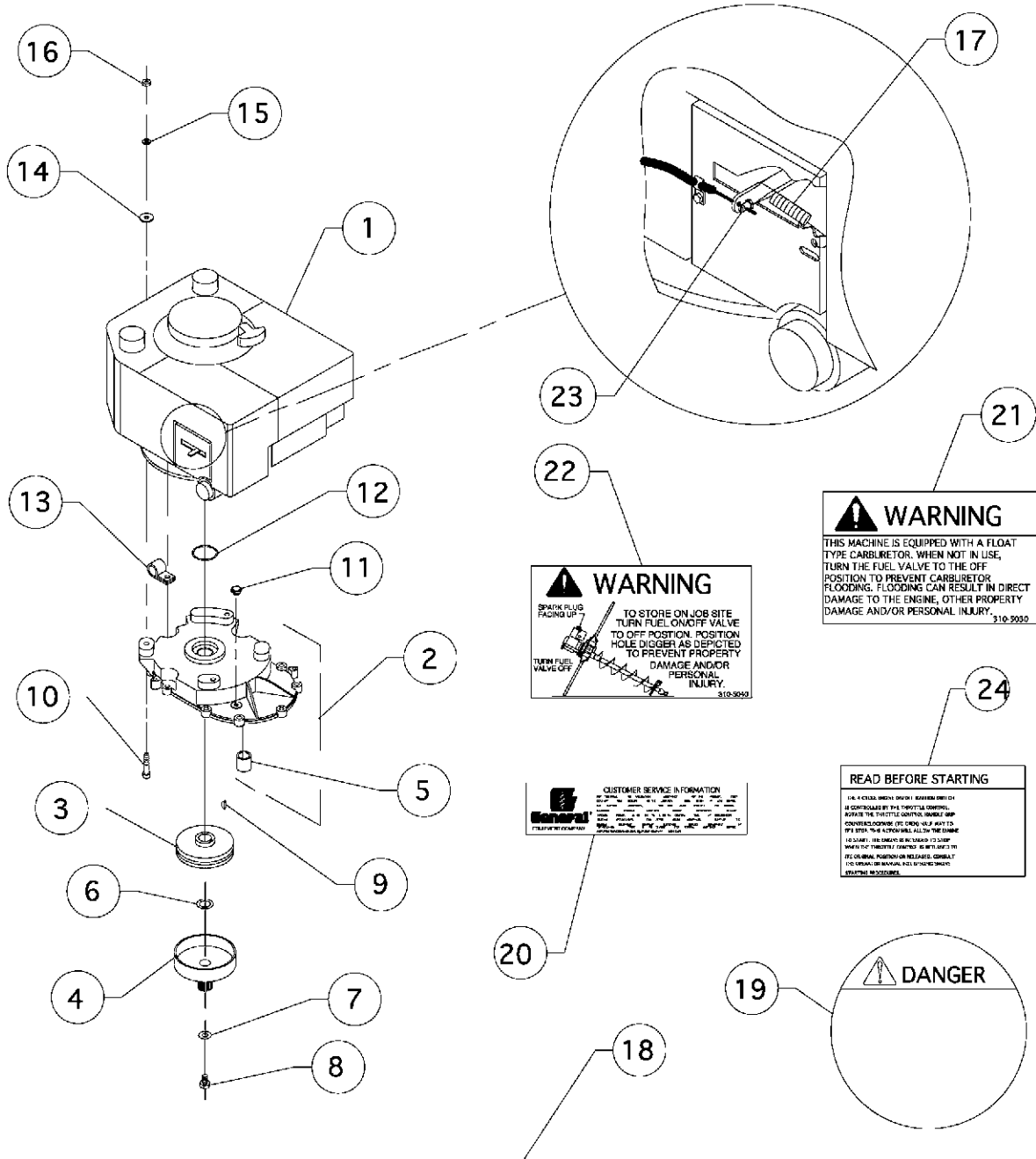
**Transmission Assembly
 330H, 343H, & 357H Hole Diggers
 Equipped with Honda GXV160 Engine
 [Starting With Serial Number 33022419]**



Transmission Assembly
330H, 343H, & 357H Hole Diggers
Equipped with Honda GXV160 Engine
[Starting With Serial Number 33022419]

Reference Number	PART NUMBER	DESCRIPTION	QUANTITY
1	310-0121-A	Case, Transmission (Includes P/N 6203-2RS-12 and 08231)	1
2	310-0101	Gasket, Transmission	1
3	51040800	Pin, Dowel, 1/4" x 1	2
4	3516	Drum And Pinion Assembly, Clutch	1
5	200682	Washer, Fiber	1
6	18050000	Nut, Hex, 5/16" UNC, Plated	10
7	16050000	Washer, Lock, 5/16", Plated	10
8	AN-960-516L	Washer, AN Type, 5/16", Plated	10
9	7034	Gear, Primary	1
10	6	Key, Woodruff, 5/32" x 5/8", Alloy	1
11	19160001	Nut, Hex, 1"-14 UNF, Self-Locking	1
12	17160000	Washer, Flat, 1", Plain Finsh	1
13	345-0310	Pinion	1
14	345-0350	Gear, Secondary	1
15	6203-2RS-12	Bearing, Ball	2
16	08125/08231B-AV	Ring, Nilos®	1
17	08125	Cone, Bearing	2
18	08231	Cup, Bearing	2
19	2121	Pin, Auger, General and Stihl (Includes P/N AP-21-S)	1
20	471820	Seal, Oil	1
21	15053600	Screw, Cap, 5/16" x 4 1/2" UNC, Grade 5, Plated	10
22	15	Key, Woodruff, 1/4" x 1", Alloy	1
23	AP-21-S	Pin, Safety	1
24	345-0332-020	Bushing	1
25	330H-0330-A	Shaft, Drive, 1 3/8" Hexagon, 6 Side (Includes P/N 345-0332-020)	1
26	343H-0330	Shaft, Drive, 7/8" Square, Ground Hog Type Drive (P/N 345-0332-020 Not Required)	1
27	357H-0330	Shaft, Drive, Stihl Type Drive (P/N 345-0332-020 Not Required)	1
28	50100800	Plug, Oil Drain (Includes P/N 66044)	1
29	50100801	Plug, Oil Level (Includes P/N 66044)	1
30	66044	Gasket, Oil Plug	2
31	2021	Pin, Auger, Gound Hog (Includes P/N AP-21-S)	1
32	37050300	Screw, Panhead, Philips, 5/16-18 UNC x 3/8", Plated	1
33	330H-0200	Washer, Plastic	1

Engine And Cover Assembly 330T, 343T, & 357T Hole Diggers Equipped with Tecumseh VLV60 Engine



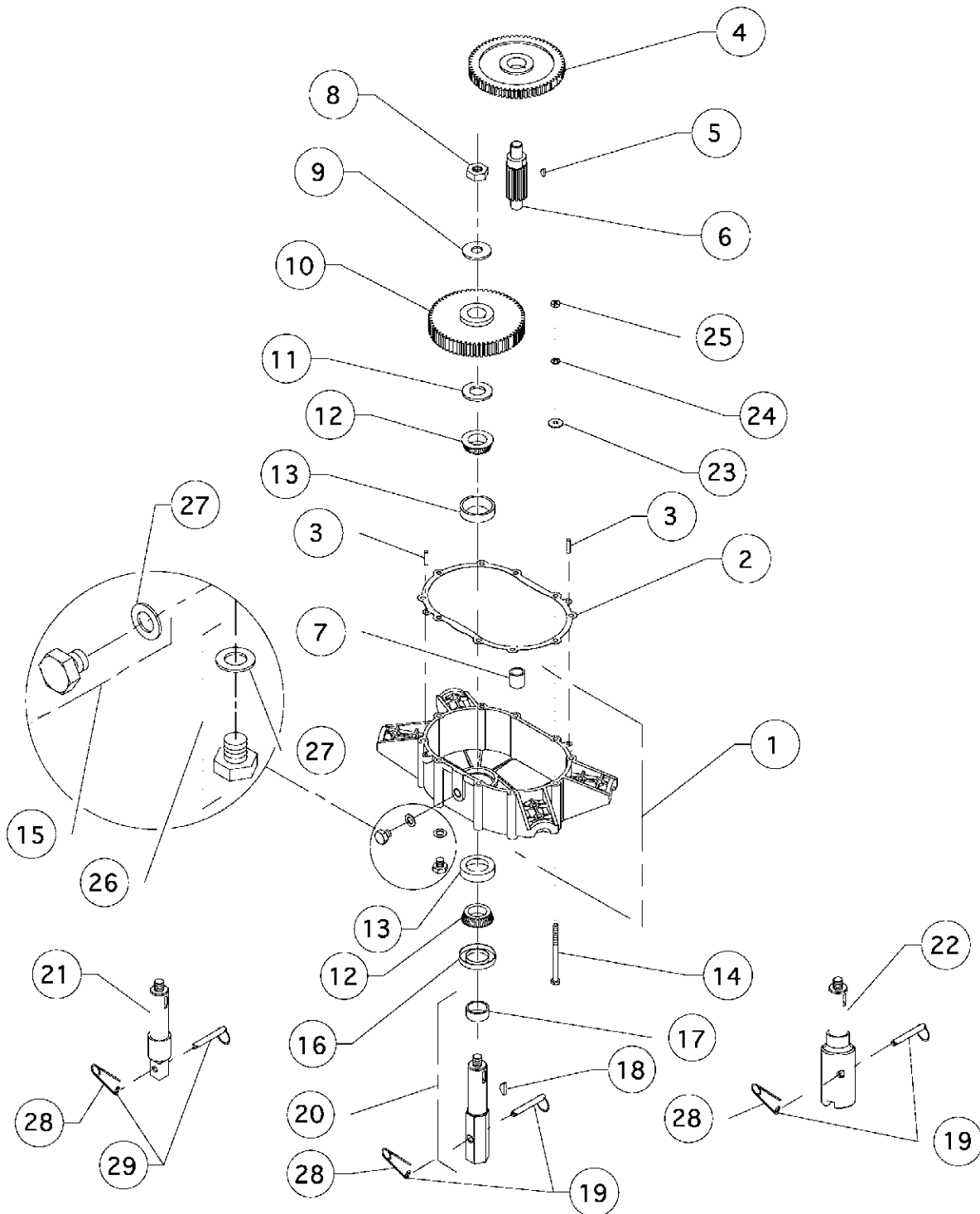
**Engine And Cover Assembly
330T, 343T, & 357T Hole Diggers
Equipped with Tecumseh VLV60 Engine**

Reference Number	PART NUMBER	DESCRIPTION	QUANTITY
1	VLV60-502052C	Engine, Tecumseh Vector (6 HP)	1
2	330-0135-A	Cover, Transmission (Includes P/N FES 2250-7)	1
3	3517	Rotor And Shoe Assembly, Clutch	1
4	3516	Drum And Pinion Assembly, Clutch	1
5	FES 2250-7	Bushing, Oilite®	1
6	200682	Washer, Fiber	1
7	17060000	Washer, Flat, 3/8", Plain Finish	1
8	15060401	Screw, Cap, 3/8-24 x 1/2 UNF	1
9	61	Key, Woodruff, 5/32" x 5/8", Alloy	1
10	60051600	Screw, Scoket, 5/16" x 2" UNC, Plated	3
11	5677	Valve, Pressure Release	1
12	330T-0050	"O" Ring	1
13	COV-0411	Clamp, Plated	1
14	AN-960-516L	Washer, AN Type, 5/16", Plated	3
15	16050000	Washer, Lock, 5/16", Plated	3
16	18050000	Nut, Hex, 5/16", Plated	3
17	330T-0300	Spring, Throttle Return	1
18	330-5011	Decal, (Model 330 Only)	1
	343-5010	Decal, (Model 343 Only)	1
	357-5010	Decal, (Model 357 Only)	1
19	210-5020	Decal, Danger	1
20	SG24-5071	Decal, Assistance	1
21	310-5030	Decal, Warning	1
22	310-5040	Decal, Warning	1
23	WS-277	Assembly, Swivel	1
24	330H-5040	Decal, Ignition	1

Transmission Assembly

330T, 343T, & 357T Hole Diggers

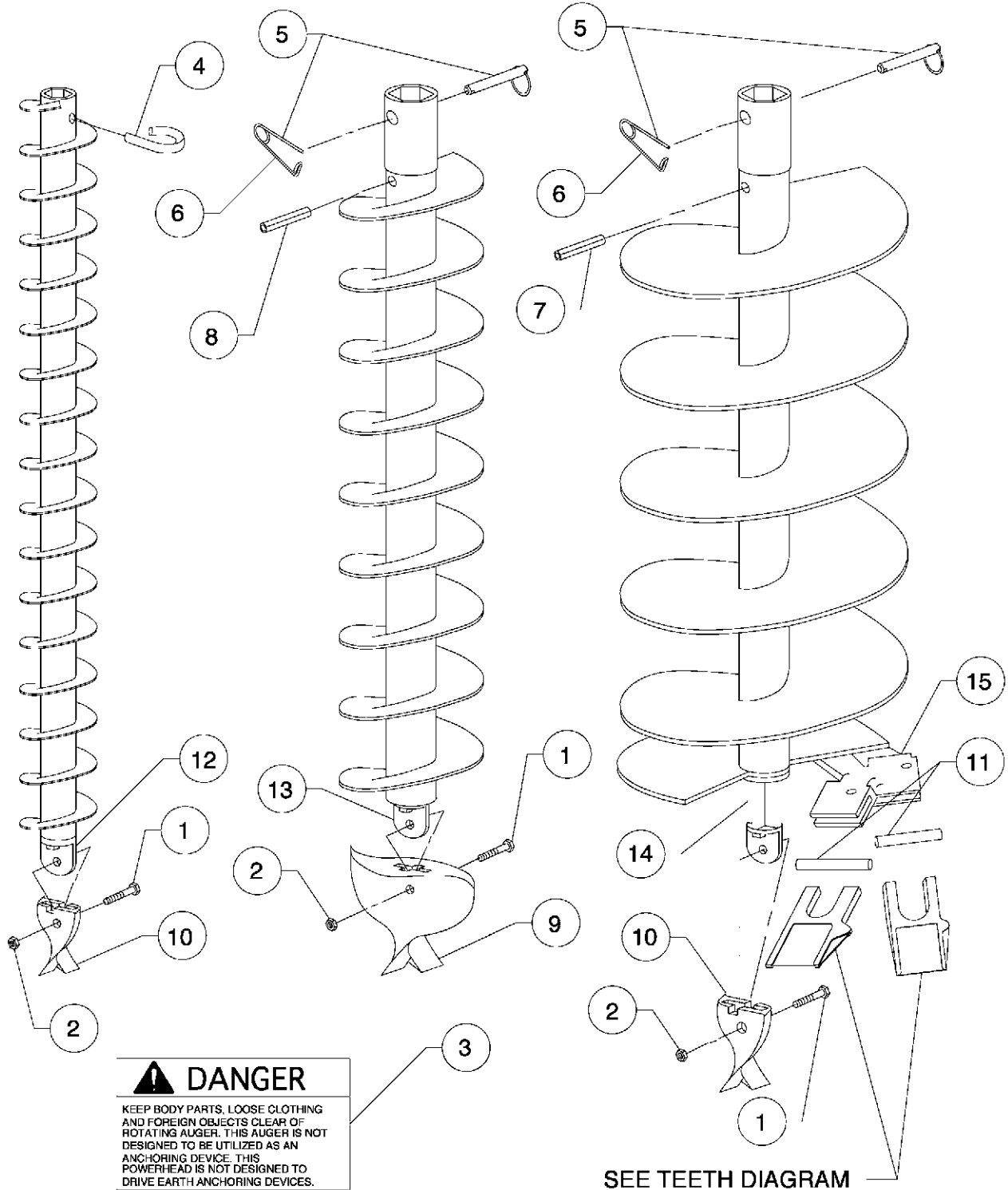
Equipped with Tecumseh VLV60 Engine



Transmission Assembly
330T, 343T, & 357T Hole Diggers
Equipped with Tecumseh VLV60 Engine

Reference Number	PART NUMBER	DESCRIPTION	QUANTITY
1	310-0121-A	Case, Transmission (Includes P/N A-1007-8 and 08231)	1
2	310-0101	Gasket, Transmission	1
3	51040800	Pin, Dowe 1/4" x 1"	2
4	7034	Gear, Primary	1
5	6	Key, Woodruff, 5/32" x 5/8", Alloy	1
6	345-0310	Pinion	1
7	FES2250-7	Bushing, Oilite®	1
8	19100001	Nut, Hex, 5/8" UNF, Self-Locking	1
9	17100000	Washer, Flat, 5/8", Plain Finish	1
10	345-0350	Gear, Secondary	1
11	08125/08231B-AV	Ring, Nilos®	1
12	08125	Cone, Bearing	2
13	08231	Cup, Bearing	2
14	15053600	Screw, Cap, 5/16" x 4 1/2" UNC, Grade 5, Plated	10
15	50100801	Plug, Oil Level (Includes P/N 66044)	1
16	471820	Seal, Oil	1
17	345-0332-020	Bushing	1
18	15	Key, Woodruff, 1/4" x 1" Alloy	1
19	2121	Pin, Auger, General and Stihl (Includes P/N AP-21-S)	1
20	345-0332-A	Shaft, Drive, 1 3/8" Hexagon, 6 Sided (Includes P/N 345-0332-020)	1
21	345-0332	Shaft, Drive, 7/8" Square, Ground Hog Type Drive (P/N 345-0332-020 Not Required)	1
22	356F-0330	Shaft, Drive, Stihl Type Drive (P/N 345-0332-020 Not Required)	1
23	AN-960-516L	Washer, AN Type, 5/16", Plated	10
24	16050000	Washer, Lock, 5/16", Plated	10
25	18050000	Nut, Hex, 5/16" UNC, Plated	10
26	50100800	Plug, Oil Drain (Includes P/N 66044)	1
27	66044	Gasket, Oil Plug	2
28	AP-21-S	Pin, Safety	1
29	2021	Pin, Auger, Ground Hog (Includes P/N AP-21-S)	1

Replacement Parts Diagrams 4400 Series Earth Augers 1-3/8" Hexagon Drive Connection For Use With 310/330 Series Hole Diggers



Replacement Parts Diagrams
4400 Series Earth Augers
1-3/8" Hexagon Drive Connection
For Use With 310/330 Series Hole Digger

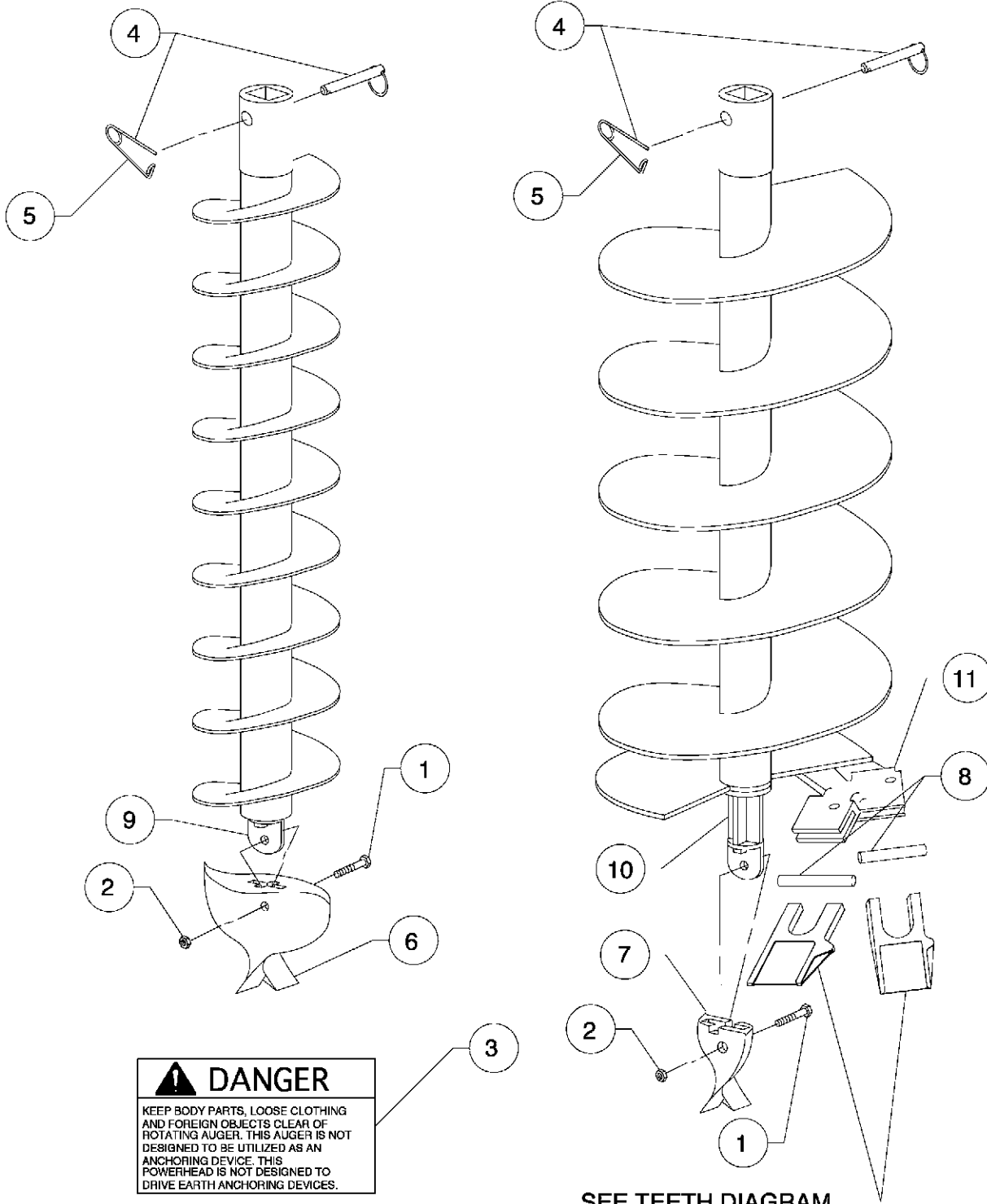
Reference Number	PART NUMBER	DESCRIPTION	APPLICATION	QUANTITY
1	15051200	Screw, Cap, 5/16" x 1 1/2" UNC, Plated	All Augers	1
2	18050000	Nut, Hex, 5/16" UNC, Plated	All Augers	1
3	233-5092	Decal, Danger	All Augers	1
4	DP-2	Pin, Drive	4400-2E3 Auger	1
			5500-2X3 Extension	1
	DP-3	Pin, Drive	4400-3E3 Auger	1
			4410-4E3 Auger	1
			5500-3X3 Extension	1
			5510-4X3 Extension	1
5	2121	Pin, Auger (Includes P/N AP-21-S)	4400-4E3 thru 4400-18P Augers	1
			5500-15X Extension	1
			5500-4E3 thru 5500-12E3 Extensions	1
6	AP-21-S	Pin, Safety	4400-4E3 thru 4400-18P Augers	1
			5500-15X Extension	1
			5500-4E3 thru 5500-12E3 Extensions	1
7	20052000	Pin, Roll, 5/16" x 2-1/2", Plain Finish	4400-12E3 thru 4400-18P Augers	1
			5500-12X3 Extension	1
8	20051600	Pin, Roll, 5/16" x 2", Plain Finish	4400-4E3 thru 4400-10E3 Augers	1
			5500-4X3 thru 5500-10X3 Extensions	1
			5500-15X Extension	1
9	SB35	Bit, Screw	4400-3E3 Auger	1
	SB45	Bit, Screw	4400-4E3 and 4410-4E3 Augers	1
10	SB25	Bit, Screw	4400-2E3 Auger	1
			4400-6E3 thru 4400-18P Augers	1
11	RL	Lock, Rubber	4400-6E3 thru 4400-18P Augers	As Req

Replacement Parts Diagrams
4400 Series Earth Augers
1-3/8" Hexagon Drive Connection
For Use With 310/330 Serive Hole Diggers

Reference Number	PART NUMBER	DESCRIPTION	APPLICATION	QUANTITY
12	140S	Lug, Drive (Weld On)	4400-2E3 Auger	1
13	141M	Lug, Drive (Weld On)	4400-3E3 Auger	1
			4400-4E3 and 4410-4E3 Augers	1
14	140CS	Lug, Drive (Weld On)	4400-6E3 thur 4400-18P Augers	1
15	6CS	Shank, 6" (Weld On)	4400-6E3 Auger	1
			4400-16E3 and 4400-18P Augers	1
	8CS	Shank, 8" (Weld On)	4400-8E3 Auger	1
	12CS	Shank, 12" (Weld On)	4400-10E3 and 4400-12E3 Augers	1
			4400-16E3 and 4400-18P Augers	2

Left Blank Intentionally

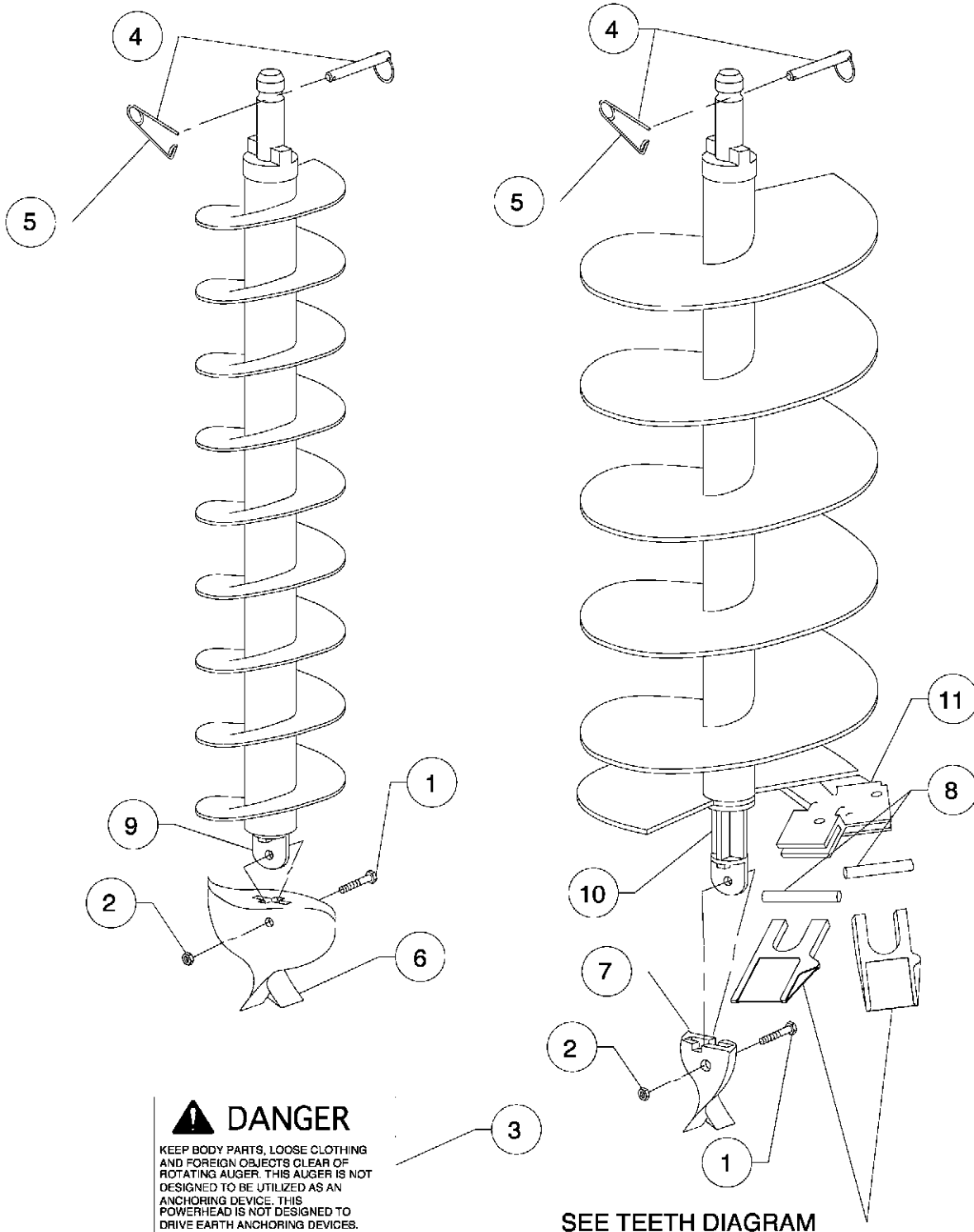
Replacement Parts Diagrams
PSD Series Earth Augers
7/8" Square (Ground Hog) Drive Connection
For Use With 342/343 Series Hole Diggers



Replacement Parts Diagrams
PSD Series Earth Augers
7/8" Square (Ground Hog) Drive Connection
For Use With 342/343 Series Hole Diggers

Reference Number	PART NUMBER	DESCRIPTION	APPLICATION	QUANTIT Y
1	15051200	Screw, Cap, 5/16" x 1 1/2" UNC, Plated	All Augers	1
2	18050000	Nut, Hex, 5/16" UNC, Plated	All Augers	1
3	233-5092	Decal, Danger	All Augers	1
4	2021	Pin, Auger (Includes P/N AP-21-S)	All Augers	1
			PSD-15X Extension	1
5	AP-21-S	Pin, Safety	All Augers	1
			PSD-15X Extension	1
6	SB45	Bit, Screw	PSD4 Auger	1
7	SB25	Bit, Screw	PSD6 thru PSD12	
			Augers	1
8	RL	Lock, Rubber	PSD6 thru PSD12	
			Augers	As Reg
9	141M	Lug, Drive (Weld On)	PSD4 Auger	1
10	140CS	Lug, Drive (Weld On)	PSD6 thru PSD12	
			Augers	1
11	6CS	Shank, 6" (Weld On)	PSD6 Auger	1
	8CS	Shank, 8" (Weld On)	PSD8 Auger	1
	12CS	Shank, 12" (Weld On)	PSD10 and PSD12 Augers	1

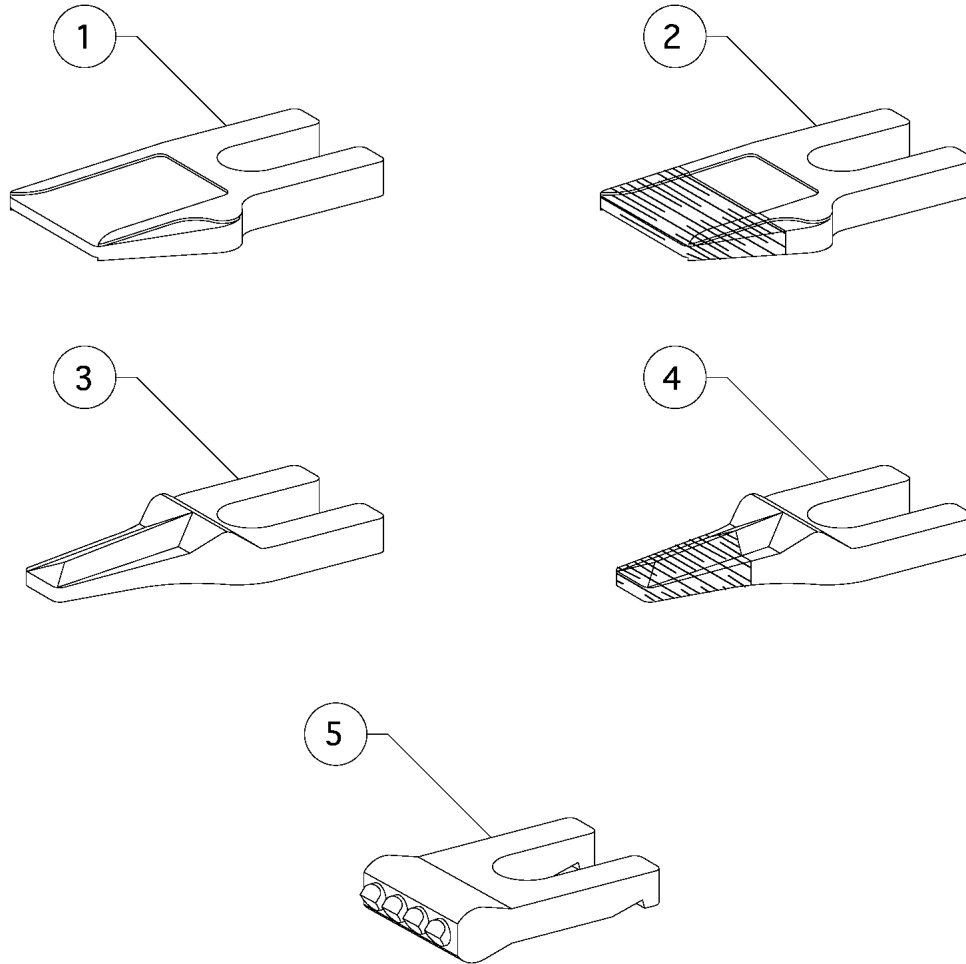
**Replacement Parts Diagrams
BT360 Series Earth Augers
Stihl Type Drive Connection
For Use With 356/357 Series Hole Diggers**



Replacement Parts Diagrams
BT360 Series Earth Augers
Stihl Type Drive Connection
For Use With 356/357 Series Hole Diggers

Reference Number	PART NUMBER	DESCRIPTION	APPLICATION	QTY
1	15051200	Screw, Cap, 5/16" x 1 1/2" UNC, Plated	All Augers	1
2	18050000	Nut, Hex, 5/16" UNC, Plated	All Augers	1
3	233-5092	Decal, Danger	All Augers	1
4	2121	Pin, Auger (Includes P/N AP-21-S)	All Augers	1
			BT360-15X Extension	1
5	AP-21-S	Pin, Safety	All Augers	1
			BT360-15X Extension	1
6	SB45	Bit, Screw	BT360-4E Auger	1
7	SB25	Bit, Screw	BT360-6E thru BT360-18P	
			Augers	1
8	RL	Lok, Rubber	BT360-6E thru BT360-18P	
			Augers	As Reg
9	141M	Lug, Drive (Weld On)	BT360-4E Auger	1
10	140CS	Lug, Drive (Weld On)	BT360-6E thru BT360-18P	
			Augers	1
11	6CS	Shank, 6" (Weld On)	BT360-6E And BT360-18P	
			Augers	1
	8CS	Shank, 8" (Weld On)	BT360-8E Auger	1
	12CS	Shank, 12" (Weld On)	BT360-10E and BT360-12E	
			Augers	1
			BT360-18P Augers	2

Replacement Teeth Diagrams For Use With 4400, PSD, And BT360 Series Earth Augers

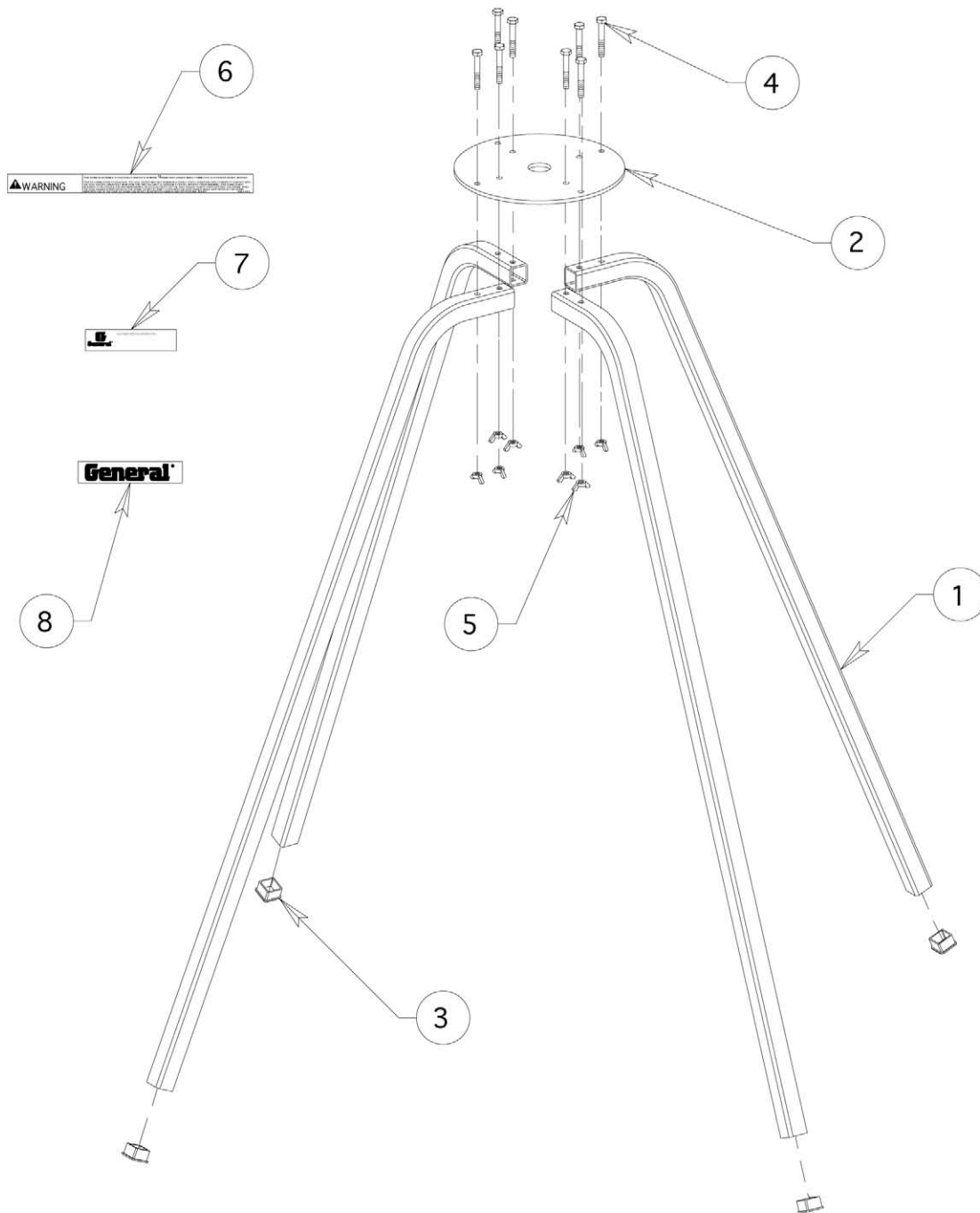


REFERENCE NUMBER	PART NUMBER	DESCRIPTION	QUANTITY
1	35	Dirt Tooth, Standard	As Required
2	35HFC	Dirt Tooth, Hard Faced	As Required
3	5T30	Tooth, Chisel	As Required
4	5T30C	Tooth, Chisel, Hard Faced	As Required
5	1336	Tooth, Tungsten Carbide	As Required

Consult The Service Section Of This Manual For Specific Application Informaion

Display Stand Assembly 300 Series Hole Diggers

This drawing represents display stands (including variations) for the 300 Series Hole Diggers



Display Stand Assembly 300 Series Hole Diggers

Reference Number	PART NUMBER	DESCRIPTION	QUANTITY
1	999-4-010	Leg, Stand (210 Hole Digger)	4
	999-5-010	Leg, Stand (300 Series Hole Diggers)	4
2	999-4-020	Plate, Top (210 Hole Digger)	1
	999-5-020	Plate, Top (310, 330, 342 & 343 Hole Diggers)	1
	999-12-020	Plate, Top (356 & 357 Hole Diggers)	1
3	FP-164	Cap, Plug, 1" Square	4
4	15041400	Screw, Cap, 1/4-20 UNC x 1-3/4", Plated	8
5	43040000	Nut, Wing, 1/4-20 UNC, Plated	8
6	999-4-5010	Decal, Warning	1
7	SG24-5070	Decal, Assistance	1
8	440-5010	Decal, General	1